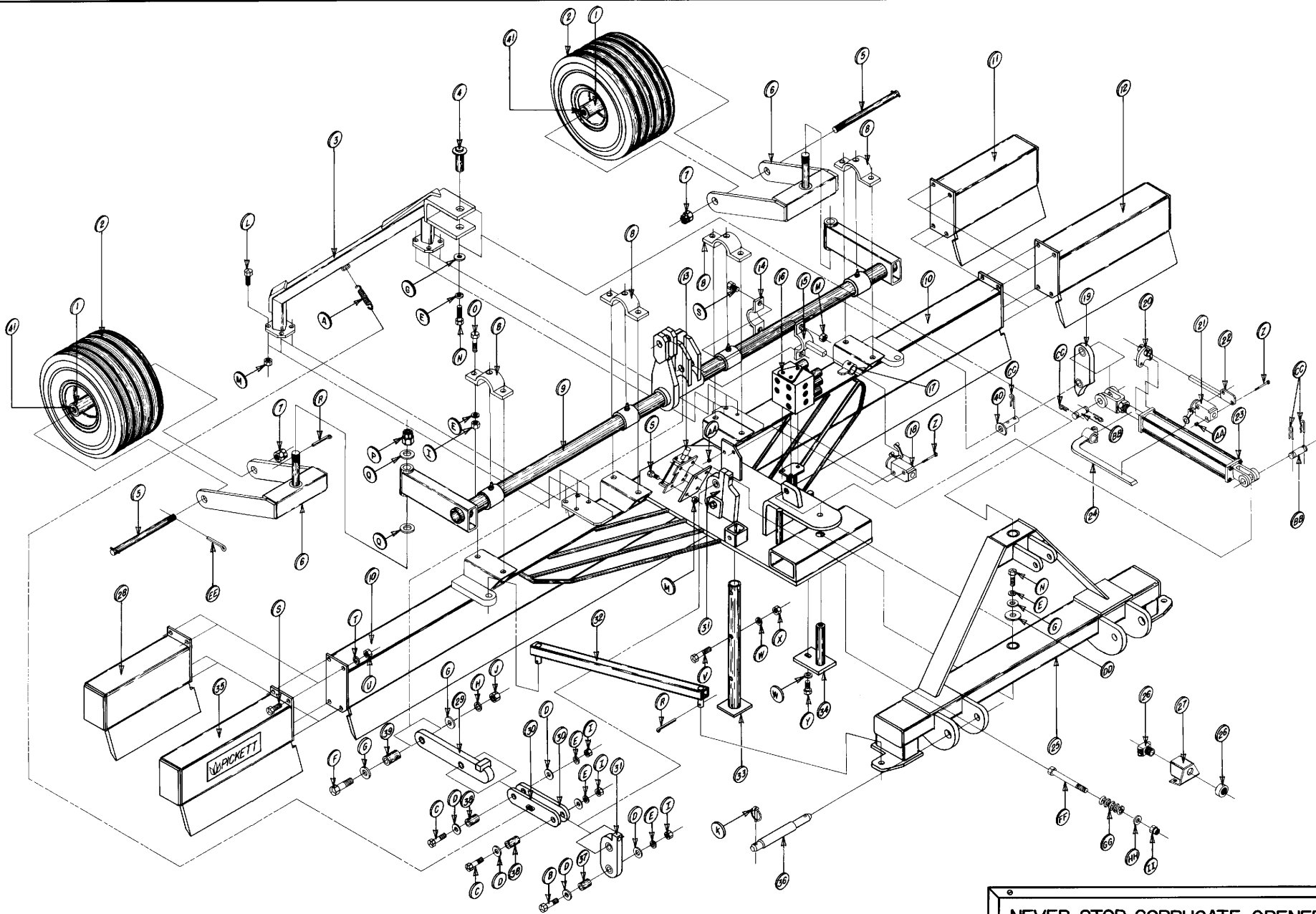


Corrugate Opener

Complete Parts Breakdown..... 2-5

Return to this page by clicking the upper right corner of any page in this section.



NEVER STOP CORRUGATE OPENER

NEVER STOP CORRUGATE OPENER (1988–Present)

Complete Parts Breakdown

Parts List

<u>Item No.</u>	<u>Part No.</u>	<u>Description</u>
1.	123000	Wheel, Steel (Obsolete, use update kit no. 405020)**
2.	120000	Tire (Obsolete, use update kit no. 405020)**
3.	600102	Top Hitch Assembly
4.	600110	Top Hitch Pin
5.	600123	Wheel Axle
6.	600003	Wheel Fork Assembly
7.		1" Castellated Hex Nut
8.	600064	Wheel Pipe Mount Bracket
9.	600108	Wheel Pipe Assembly
10.	600126	Main Frame Assembly
11.	600045	18" L.H. Blade Extension—Optional
12.	600053	24" L.H. Blade Extension Assembly
13.	103028	Cylinder, Hydraulic 1½" x 1" (Not Shown; Seal Kit - Part no. 119305)
14.	600079	Limit Switch Clamp
15.	600106	Limit Switch Clamp Assembly
16.	122008	Valve, Hydraulic Solenoid (Replacement Coil # 103176; Valve Body Springs avl.)
17.	600112	Limit Switch Trigger Collar Assembly
18.	119029	Switch, Limit (Not Shown; Fork Lever - Part no. 112001)
19.	600062	Large Ram Arm
20.	600127	Limit Switch Slide Mouth Assembly
21.	119055	Switch Limit (Not Shown; Adj. Roller Lever—Part no. 112000)
22.	600111	Large Ram Slide Assembly
23.	103027	Cylinder, Hydraulic Corrugate (2½" x 8")
24.	600109	Large Ram Trigger Assembly
25.	600001	Three Point Hitch Assembly
26.	119058/119057	Switch, Push Button Assembly
27.	600095	Switch Housing Assembly
28.	600046	18" R.H. Blade Extension—Optional
29.	600036	Wheel Pipe Linkage Assembly
30.	600063	Control Link Arm
31.	600094	Linkage Pivot Arm
32.	600004	Angle Support Arm Assembly
33.	600105	Jack Stand Assembly
34.	600115	Pin Plate Assembly
35.	600054	24" R.H. Blade Extension Assembly
36.	116001	Draw Pin
37.	600124	Trip Pin Bushing—Short
38.	600125	Trip Pin Bushing—Long
39.	600065	Wheel Pipe Control Arm Bushing
40.	600078	Large Ram Control Arm Pin

NEVER STOP CORRUGATE OPENER, (1988–Present)

Complete Parts Breakdown

Parts List

<u>Item No.</u>	<u>Part No.</u>	<u>Description</u>
41.	102001	Bearing, Wheel Cone (See Item no. 1)
Not Shown	119024	Seal, Bearing (See Item no. 1)
Not Shown	102002	Bearing, Wheel Race Cup (See Item no. 1)
Not Shown	103092	Cylinder, Blade Angle Ram–Optional (used in place of item 32)

Hardware List

<u>Item No.</u>	<u>Part No.</u>	<u>Description</u>
A.	119060	1/8" x 1" x 3" Extension Spring
B.		5/8" x 3/4" NC Hex Bolt
C.		5/8" x 3/2" NC Hex Bolt
D.		5/8" Flat Washer
E.		5/8" Lock Washer
F.	116002	3/4" x 3" NC Hex Bolt
G.		3/4" Flat Washer
H.		3/4" Lock Washer
I.		5/8" NC Hex Nut
J.		3/4" NC Hex Nut
K.		Latch Pin
L.		7/16" x 1" NC Hex Bolt
M.		7/16" NC Whiz Nut
N.		5/8" x 1 1/2" NC Hex Bolt
O.		5/8" x 2 1/2" NC Hex Bolt
P.	1 1/4" NF Castellated Hex Nut	
Q.	1 3/4" Flat Washer	
R.	1/4" x 2 1/2" Cotter Pin	
S.	7/16" x 1 1/4" NC Hex Bolt	
T.	7/16" Lock Washer	
U.	116009	7/16" NC Hex Nut
V.		1/2" x 3 1/2" NC Hex Bolt
W.		1/2" Lock Washer
X.		1/2" NC Hex Nut
Y.		1/2" x 2 1/2" NC Hex Bolt
Z.		10-32 x 2" Cap Screw
AA.		10-32 Lock Nut
BB.		Ram Pin
CC.		Hair Pin
DD.		1" Flat Washer

NEVER STOP CORRUGATE OPENER, (1988–Present)

Complete Parts Breakdown

Hardware List

<u>Item No.</u>	<u>Part No.</u>	<u>Description</u>
EE.		3/16" x 2½" Cotter Pin
FF.		7/16" x 6" NC Hex Bolt–grade 8
GG.	119061	Compression Spring
HH.		7/16" Flat Washer
II.		7/16" NC Nyloc Hex Nut

* When updating wheel assemblies with kit no. 405020, it is not necessary to update both wheel assemblies at the same time. The new wheel assembly and the old wheel assembly have the same overall tire height.

** See Service Update, Section 8, for complete parts breakdown of kit no. 405020.