

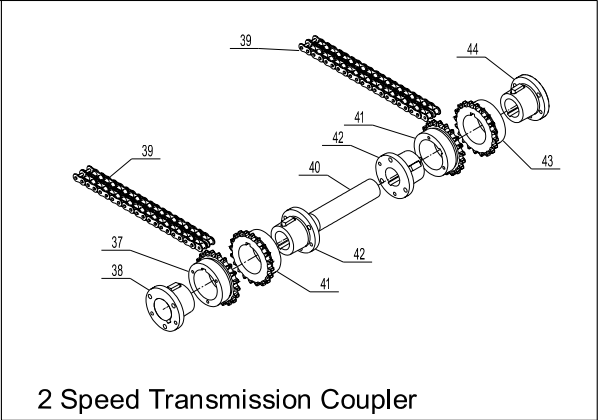
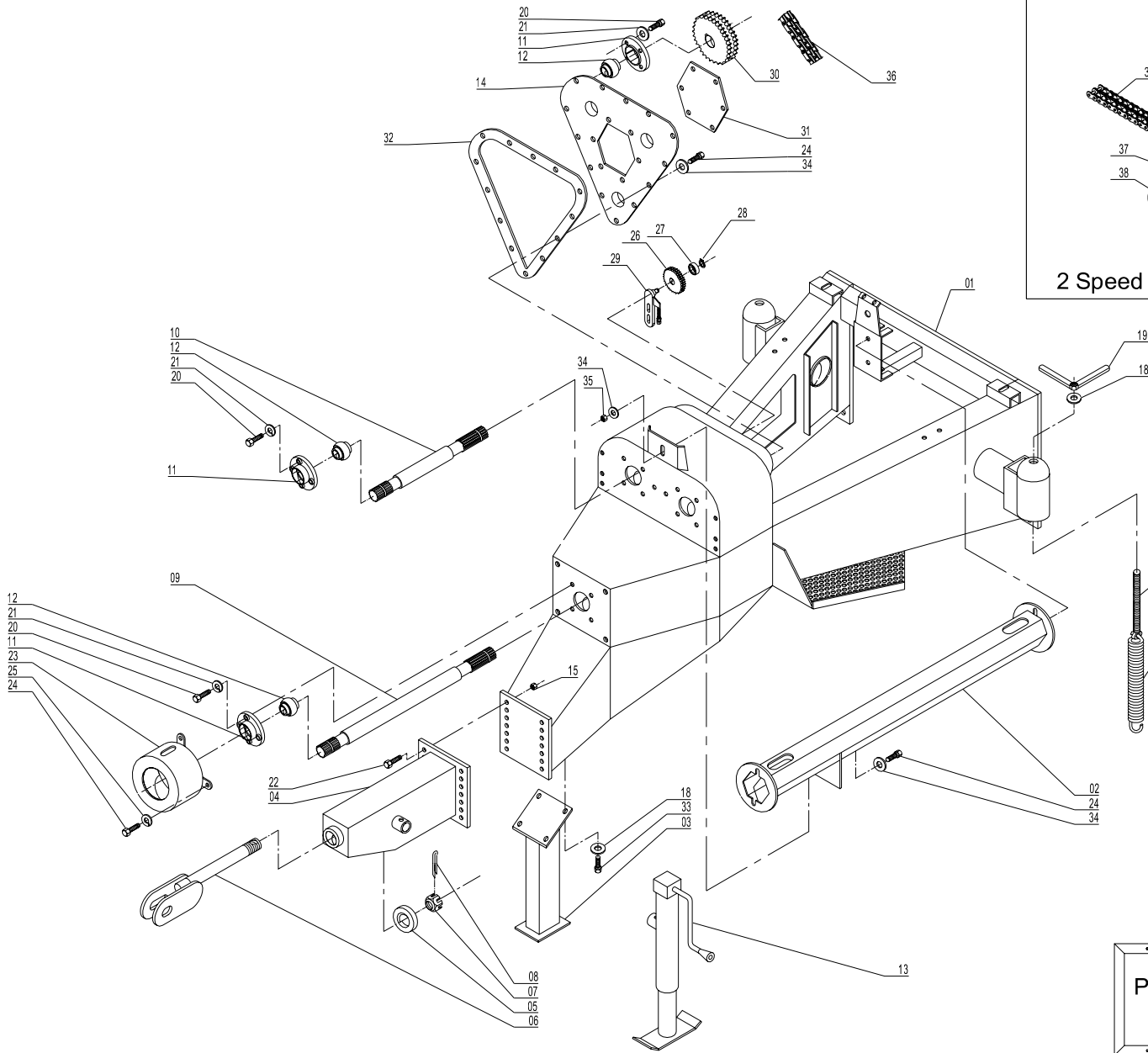
Double Master Plus Combine

Pull Tongue

Section 5

Pull Tongue Straight Pull Model	2-4
Pull Tongue SP & SP2 Models	5-7

Return to this page by clicking the upper right corner of any page in this section.



2 Speed Transmission Coupler

PULL TONGUE ASSEMBLY
STRAIGHT PULL MODEL

DMP Straight Pull Tongue

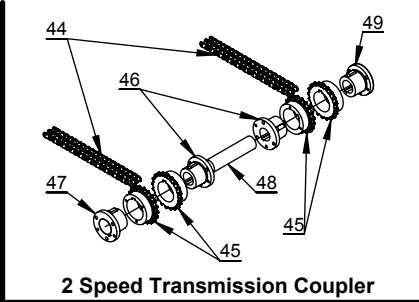
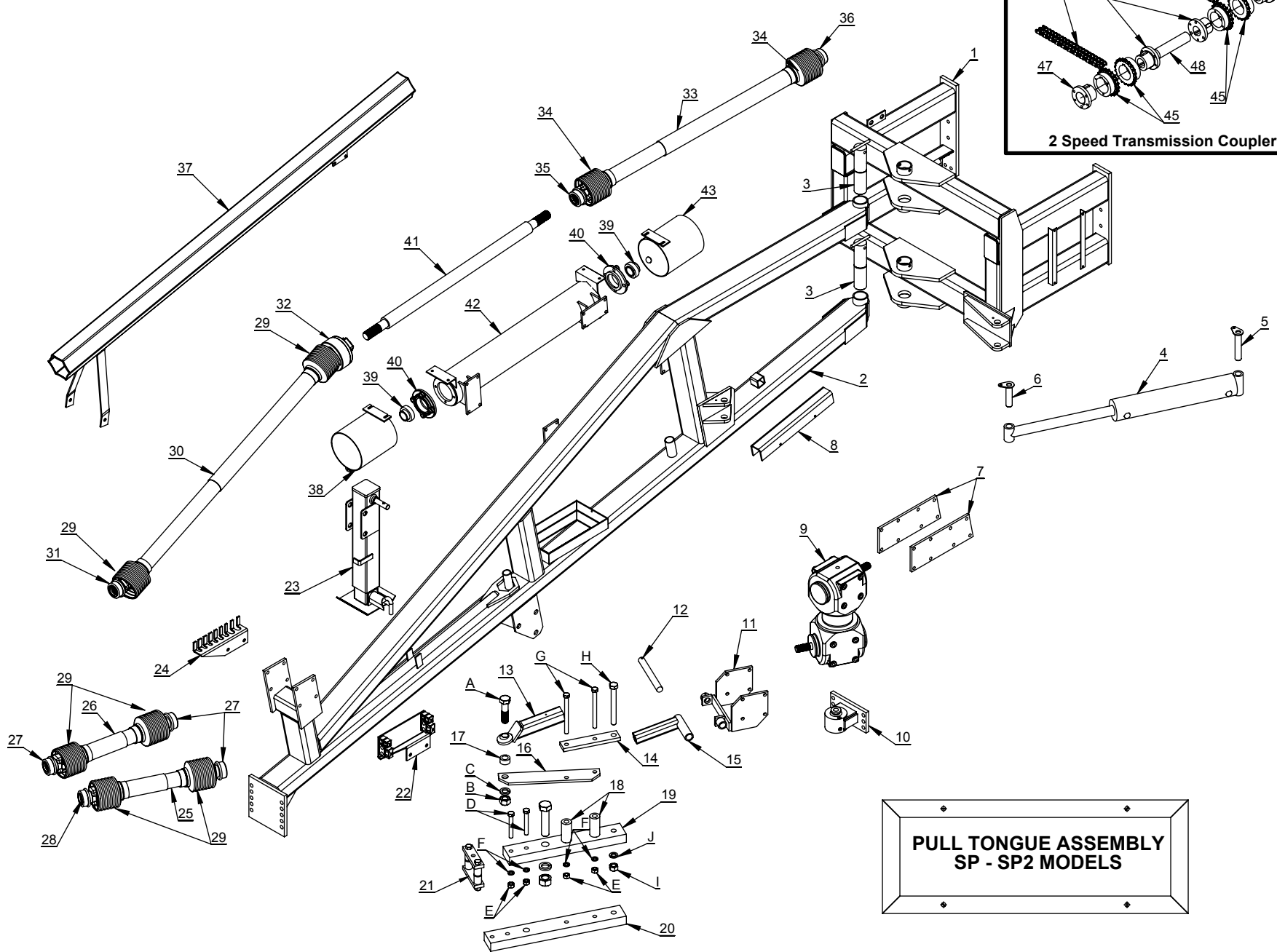
Parts List

<u>Item</u>	<u>Part No.</u>	<u>Qty</u>	<u>Description</u>
00.	3.201.0011-9	1	Complete Pull Tongue Assembly
01.	3.203.0044-9	1	Pull Tongue Frame
02.	3.203.0046-3	1	Hydraulic Hose Support
03.	3.203.0047-3	1	Pull Tongue Park Support
04.	3.203.0043-2	1	Adjustable Pull Tongue Front Half
05.	3.007.0015-8	1	Hitch Pin Washer
06.	3.203.0045-7	1	Hitch
07.	3.902.0004-7	1	Hitch Castle Nut 1 1/2"
08.	3.906.0010-6	1	Cotter Pin 3/16" x 2"
09.	3.207.0118-9	1	Lower Drive Shaft
10.	3.207.0117-2	2	Upper Drive Shaft
11.	106056	6	Bearing Flange RFC 45mm
12.	102116	6	Bearing, UCR 209 45mm
13.	110000	1	Jack, Side Wind
14.	3.203.0062-7	1	Oil Bath Cover Plate
15.	3.902.0013-6	12	Hex Nut, 3/4"
16.	044.873-1	2	Spring, Pickup Head Floatation
17.	065.112-3	2	Eye Bolt, 5/8" x 12"
18.	3.934.0005-8	6	Flat Washer, 5/8"
19.	027.620-1	2	Wing Nut, Pickup Head Floatation 5/8"
20.	3.901.0039-3	24	Hex Bolt, 1/2" x 1 1/2" ww
21.	3.904.0001-1	24	Lock Washer, 1/2"
22.	3.901.0117-9	12	Hex Bolt, 3/4" x 2"
23.	3.203.0042-4	1	Slip Clutch Guard
24.	3.901.0066-9	16	Hex Bolt, 3/8" x 3/4"
25.	3.904.0004-4	4	Lock Washer 3/8"
26.	3.823.0032-8	1	Sprocket, D60 BS 13 x 40mm
27.	102127	2	Bearing, 6004z
28.	3.906.0002-5	1	Snap Ring
29.	3.203.0050-5	1	Chain Tensioner
30.	3.823.0026-3	1	Sprocket, D60 BS 24 x 1 3/4"
Not Shown	019.836-4	1	Sprocket, D60 BS 24 x 1 3/4" 20 Spline (2001 Only)
Not Shown	3.823.0027-1	1	Sprocket, D60 BS 30 x 1 3/4"
Not Shown	3.823.0034-4	1	Sprocket, D60 BS 30 x 1 3/4" 20 Spline (2001 Only)
Not Shown	3.823.0029-3	1	Sprocket, D60 BS 36 x 1 3/4"
Not Shown	3.823.0035-2	1	Sprocket, D60 BS 36 x 1 3/4" 20 Spline (2001 Only)
31.	3.204.0183-7	1	Oil Bath Inspection Plate
31a.	107025	1	Gasket for Item 31
32.	107024	1	Oil Bath Cover Plate Gasket
33.	3.901.0075-8	4	Hex Bolt, 5/8" x 1"
34.	3.934.0003-3	16	Flat Washer, 3/8"
35.	3.902.0014-4	10	Hex Nut, 3/8"

DMP Straight Pull Tongue

Parts List

<u>Item</u>	<u>Part No.</u>	<u>Qty</u>	<u>Description</u>
Not Shown	3.909.0019-6	3	Seal, Oil Bath (model 2001 w/splined shafts & sprockets)
Not Shown	119174	3	Seal, Oil Bath (model 2002 – 2005 w/keyed shafts and sprockets)
Not Shown	119204	3	Seal, Oil Bath (model 2001 w/2002 – present keyed shafts)& sprockets
36.	103120		Roller Chain, RS60-2 (per foot)
Not Shown	103121		Connector Link, RS60-2
Not Shown	103122		Half Link, RS60-2
37.	119213	1	Sprocket, H60Q20
38.	102187	1	Bushing, Q x 2 1/8"
39.	103157	2	Coupler Chain, 60B20
40.	510243	1	Coupler Shaft, (1 3/4" O.D. x 2 3/4" long pre 2007)
40a.	510817	1	Coupler Shaft, (1 3/4" O.D x 8 1/2" long 2007 – 2009)
40b.	510815	1	Coupler Shaft, (1 3/4" O.D. x 7 3/8" long 2010 – present)
41.	119213	2	Sprocket, H60Q20 (2007 – present)
41a.	119213-B	2	Sprocket, 60BS20 x 1 3/4" (pre – 2007)
42.	102195	2	Bushing, Q x 1 3/4" (2007 – present)
43.	119213	1	Sprocket, H60Q20 (2001 – present)
43a.	119215	1	Sprocket, 60BS20 x 40mm (2000 only)
44.	102195	1	Bushing, Q x 1 3/4" (2001 – 2008)
44a.	102184	1	Bushing, Q x 60mm (2009 – present)
Not Shown	104032		Primary Driveline 1000 PTO 1 3/4" 20 Spline (2001 – present)
Not Shown	104034		Primary Driveline 1000 PTO 1 3/4" 20 Spline (2000 only)
Not Shown	104033		Primary Driveline 540 PTO (2001 – 2005)
Not Shown	104035		Primary Driveline 540 PTO Front Half Only (2001 – 2005)
Not Shown	104030		Primary Driveline 540 PTO (2000 only)
Not Shown	104036		Primary Driveline 540 PTO Front Half Only (2000 only)
Not Shown	104031		Secondary Driveline (2001 – 2005)
Not Shown	104041		Secondary Driveline Rear Half Only (2001 – 2005)
Not Shown	104029		Secondary Driveline (2000 only)
Not Shown	104042		Secondary Driveline (2006-present or any year w/2 speed transmission)
Not Shown	124022		Yoke, 1 3/4" Round (secondary driveline)
Not Shown	124024		Yoke, 20 Spline, 1000 PTO (primary w/CV)
Not Shown	102108		Bearing Cross, CV – Joint
Not Shown	102109		Bearing Cross, Cut Out Clutch
Not Shown	102110		Bearing Cross, CV – Joint Tractor Side
Not Shown	102111		Bearing Cross, Secondary Driveline
Not Shown	124016		Yoke, Inbound S4 Secondary Driveline
Not Shown	124017		Yoke, Inbound S5 Secondary Driveline
Not Shown	124018		Yoke, Inbound S5 Primary Front Half
Not Shown	124019		Yoke, 1 3/4" 20 Spline (secondary driveline)
Not Shown	124020		Yoke, 1 3/8" 6 Spline, 540 PTO (primary w/CV)
Not Shown	124021		Yoke, CV-Joint Center Section (primary)



**PULL TONGUE ASSEMBLY
SP - SP2 MODELS**

Offset Pull Tongue Hitch & Combine Drive Train SP & SP2

Parts List

<u>Item No.</u>	<u>Part No.</u>	<u>Qty</u>	<u>Description</u>
1.	510255	1	Pull Tongue Hitch
2.	510200	1	Pull Tongue
3.	510201	2	Pin, Pivot
4.	103159	1	Cylinder, Hydraulic (4" x 20")
5.	510734	1	Long Ram Pin
6.	510735	1	Short Ram Pin
7.	510217	2	Top Mount Plate (Swivel Gear Box)
8.	511191	1	Ram Tow Lock
9.	107021	1	PTO Swivel Gear Box
10.	510225	1	Dura-Ball Hitch Mount
11.	510275	1	Lower Gear Box Mount
12.	900742	1	Pivot Shaft
13.	510280	1	Telescoping Arm
14.	510230	1	Top Support Plate
15.	510277	1	Pivot Arm
16.	510276	1	Stabilizer Plate
17.	940507	1	Spacer, Stabilizer Plate
18.	510229	2	Spacer Pipe
19.	510218	1	Draw Bar Extension (for use with Tractors with 1-3/4" 1000 PTO)
20.	510234	1	Draw Bar Extension (for use with Tractors with 1-3/8" 1000 PTO)
21.	511068	1	Draw Bar Clamp
22.	510929	1	Hydraulic Tube Bracket (2009 – Present)
23.	110004	1	Jack Assembly
24.	511197	1	Hydraulic Hose Storage Bracket
25.	104038	1	Driveline, Primary (1 3/4" 1000)
26.	104043	1	Driveline, Primary (1-3/8" 1000)
27.	124026	1	Yoke 1 3/8" – 21 Spline Slip Collar Type
28.	124019	1	Yoke 1 3/4" – 20 Spline
29.	102111	4	Cross & Bearing Kit
30.	104039	1	Driveline, Secondary (cut away clutch)
31.	124029	1	Yoke 1 3/8" – 21 Spline Clamping Type
32.	124034	1	Cut-out Clutch 2000 NM
33.	104040	1	Driveline, Tertiary (over-running clutch, 2006 – 2010, 2500 series)
33a.	104047	1	Driveline, Tertiary (over-running clutch, 2011 – Present, 2600 series)
34.	102111	2	Cross & Bearing Kit (2006 – 2010, 2500 series)
34a.	102216	2	Cross & Bearing Kit (2011 – Present, 2600 series)
35.	124031	1	Yoke, Over-running Clutch, Tertiary (2006 – 2010, 2500 series)
35a.	124035	1	Yoke, Over-running Clutch, Tertiary (2011 – Present, 2600 series)
36.	124019	1	Yoke 1 3/4" – 20 Spline, Locking Collar type (2006 – 2010, 2500 series)
36a.	124032	1	Yoke 1 3/4" – 20 Spline, Locking Collar type (2011 – Present)
37.	510240	1	Hydraulic Hose Carrier (2006 – 2008)

Offset Pull Tongue Hitch & Combine Drive Train SP & SP2

Parts List

<u>Item No.</u>	<u>Part No.</u>	<u>Qty</u>	<u>Description</u>
38.	510772	1	Front Driveline Shield
39.	102116	2	Bearing, 45mm Insert
40.	106067	2	Flange, 45mm Bearing
41.	510186	1	Shaft, Splined Driveline (1-3/4" / 20 spline)
42.	510220	1	Splined Drive Shaft Mount
43.	510770	1	Rear Driveline Shield
44.	103157	2	Chain, 60B20 Coupler
45.	119213	4	Sprocket, H60Q20
46.	102195	2	Bushing, Q x 1-3/4"
47.	102187	1	Bushing, Q x 2-1/8"
48.	510815	1	Coupler Shaft, (1 3/4" O.D. x 7 3/8" long)
49.	102195	1	Bushing, Q x 1-3/4" (2006-2007)
49a.	102184	1	Bushing, Q x 60mm (2008-Present)

Hardware List

<u>Item No.</u>	<u>Part No.</u>	<u>Qty</u>	<u>Description</u>
A.		1	1 1/4" 7NC x 5" Hex Bolt
B.		1	1 1/4" 7NC Hex Nut
C.		1	1 1/4" Lock Washer
D.		2	3/4" 10NC x 5 1/2" Hex Bolt
E.		4	3/4" 10NC Hex Nut
F.		4	3/4" Lock Washer
G.		2	3/4" 10NC x 9 Hex Bolt
H.		1	1" 8NC x 9 Hex Bolt
I.		1	1" 8NC Hex Nut
J.		1	1" Lock Washer