

One Step Ahead Rod Cutter (*Front Mount Unit*)

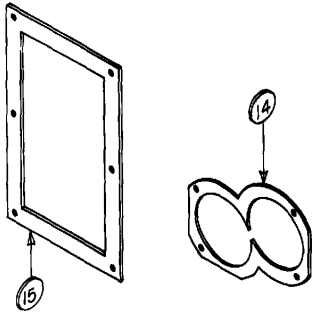
Chain Case

Section 1

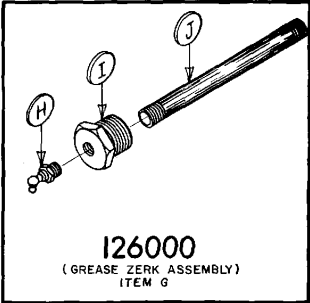
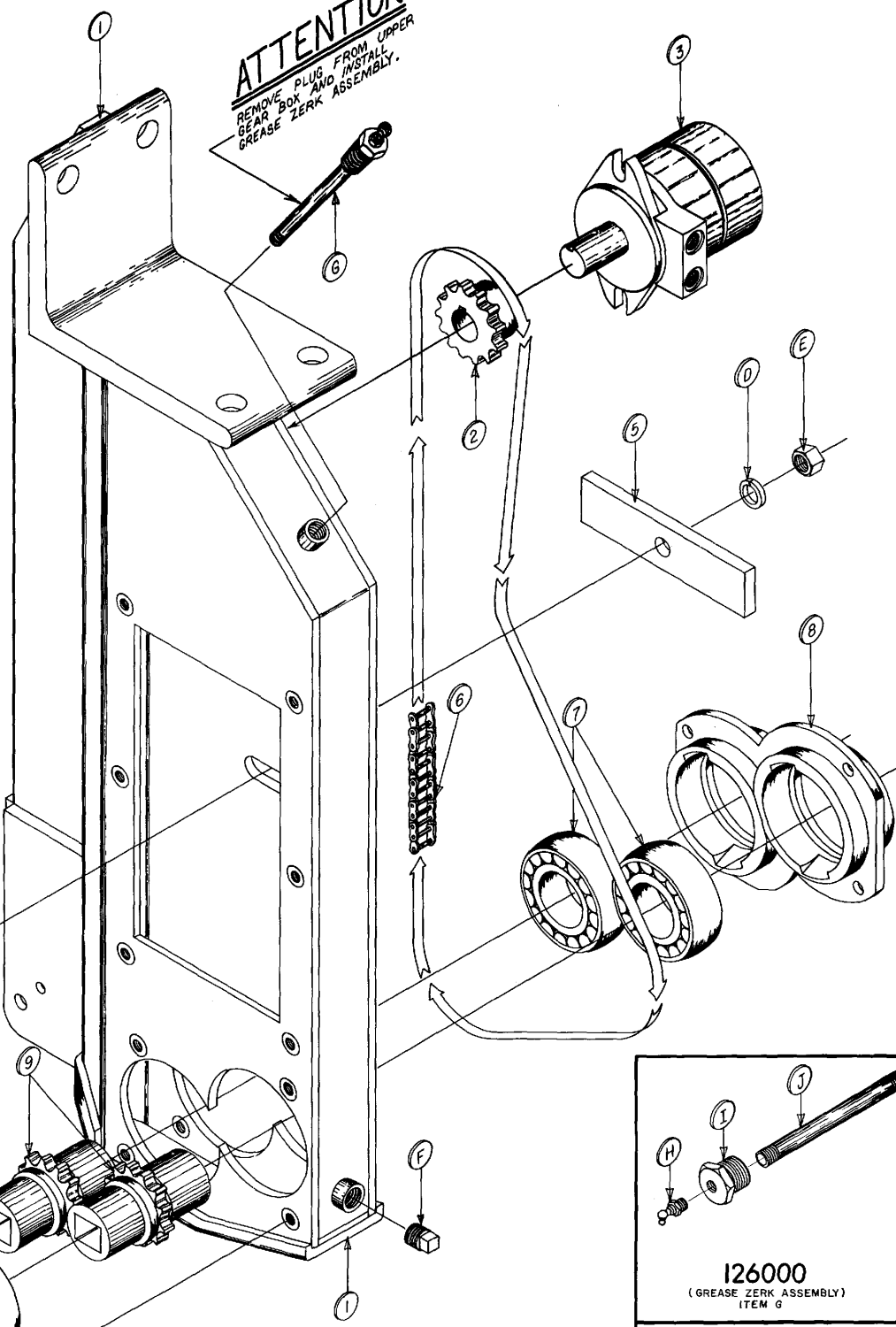
Model Years 1992 – 1994 (Hydraulic Drive Chain Case)	2-3
Model Years 1995 – Present (Hydraulic Drive Chain Case).....	4-5

Return to this page by clicking the upper right corner of any page in this section.

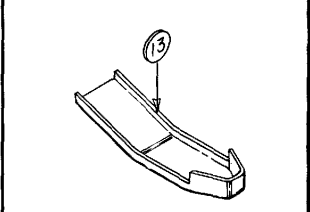
**GEAR BOX GASKET SET
905080**



ATTENTION
REMOVE PLUG FROM UPPER
GEAR BOX AND INSTALL
GREASE ZERK ASSEMBLY.



126000
(GREASE ZERK ASSEMBLY)
ITEM 6



GEAR BOX WEAR PLATE
(Replacement Part)

**ONE-STEP AHEAD™
HYDRAULIC DRIVE GEAR BOX**

HYDRAULIC DRIVE CHAIN CASE (1992–1994)

Parts List

<u>Item No.</u>	<u>Part No.</u>	<u>Description</u>
1.	905085-92★	Hydraulic Chain Case
2.	119098	Input Drive Sprocket (13-Tooth) Replaced by 119014
2a.	119014	Input Drive Sprocket (12-Tooth)
3.	113027	Hydraulic Motor (ME090602CCCA) for machines smaller than 8 row 30
3a.	113030	Hydraulic Motor (ME100602CCCA) for machines 8 row 30 or larger
4.	900519★	Inspection Cover
5.	900170	Idler Sprocket Guide
6.	103013	Chain, 60 Roller
7.	102032	Bearing, Chain Case Lower Shaft
8.	900542	R.H. Bearing Sleeve Cap Assembly (Outside)
9.	900557	Output Sprocket Shaft Assembly
10.	900541	L.H. Bearing Sleeve Cap Assembly (Inside)
11.	900033	Idler Sprocket Bolt Stop
12.	119017	Sprocket, Idler 0613E10
13.	119065	Shoe, Wear Plate Chain Case ›Update with Kit No. 901242
14.	900566	Bearing Sleeve Cap Gasket
15.	900568	Inspection Cover Gasket
16.	905277	Chain Case Gasket Set—Includes: (2) 900566, (1) 900568, (1) 905271
Not Shown	905090-92	Complete Hydraulic Chain Case Assembly ›Replaced by 905090-95

Hardware List

<u>Item No.</u>	<u>Part No.</u>	<u>Description</u>
A.	102073	3/8" x 3/4" NC Whiz Bolt—Grade 8
B.		3/8" Lock washer
C.		3/8" x 3/4" NC Hex Bolt
D.		5/8" Lock washer
E.		5/8" NC Hex Nut
F.	116018	1/2" Pipe Plug
G.	126000	Grease Zerk Assembly
H.	126001	1/8" Grease Zerk
I.		Reducer Bushing
J.		1/4" x 4" Black Pipe Nipple
Not Shown	107009	Corn Head Grease—Tube

★ This part is manufactured on a built-to-order basis only. Call Pickett Equipment for availability and lead time.

HYDRAULIC DRIVE CHAIN CASE (1995 – Present)

Parts List

<u>Item No.</u>	<u>Part No.</u>	<u>Description</u>
1.	905085-95	Hydraulic Chain Case (Weld Assembly)
2.	119014	Input Drive Sprocket (12-Tooth)
3.	113030	Hydraulic Motor
3a.	119110	Seal Kit for Item 3
4.	905274	Inspection Cover
5.	900170	Idler Sprocket Guide
6.	103013	Chain, 60 Roller
7.	102032	Bearing, Chain Case Lower Shaft
8.	900542	R.H. Bearing Sleeve Cap Assembly (Outside)
9.	900557	Output Sprocket Shaft Assembly
10.	900541	L.H. Bearing Sleeve Cap Assembly (Inside)
11.	900033	Idler Sprocket Bolt Stop
12.	119016	Sprocket, Idler (6011E10) (Eliminates the ½ link on the 60 chain)
13.	119116	Shoe, Bolt-on Wear Plate
14.	900566	Bearing Sleeve Cap Gasket
15.	905271	Inspection Cover Gasket
16.	905277	Chain Case Gasket Set—Includes: (2) 900566, (1) 905271 (1) 900568
Not Shown	905090-95	Complete Hydraulic Chain Case Assembly

Hardware List

<u>Item No.</u>	<u>Part No.</u>	<u>Description</u>
A.	102073	3/8" x 3/4" NC Whiz Bolt—Grade 8
B.		3/8" Lock washer
C.		3/8" x 3/4" NC Hex Bolt
D.		5/8" Lock washer
E.		5/8" NC Hex Nut
F.		5/8" SAE Flat Spacer Washer—5 Required
Not Shown	107009	Corn Head Grease—Tube