

One Step Rod Cutter Rear Pull

Three Point Hitch & Guy Rods

Section 3

Model Years 1991 - 1993	2-3
Model Years 1994 - Present	4-5
Three Point Hitch / Guy Rod Extension Mount	6-7

Return to this page by clicking the upper right corner of any page in this section.

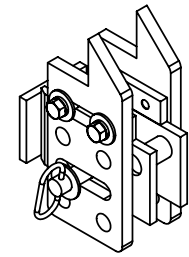
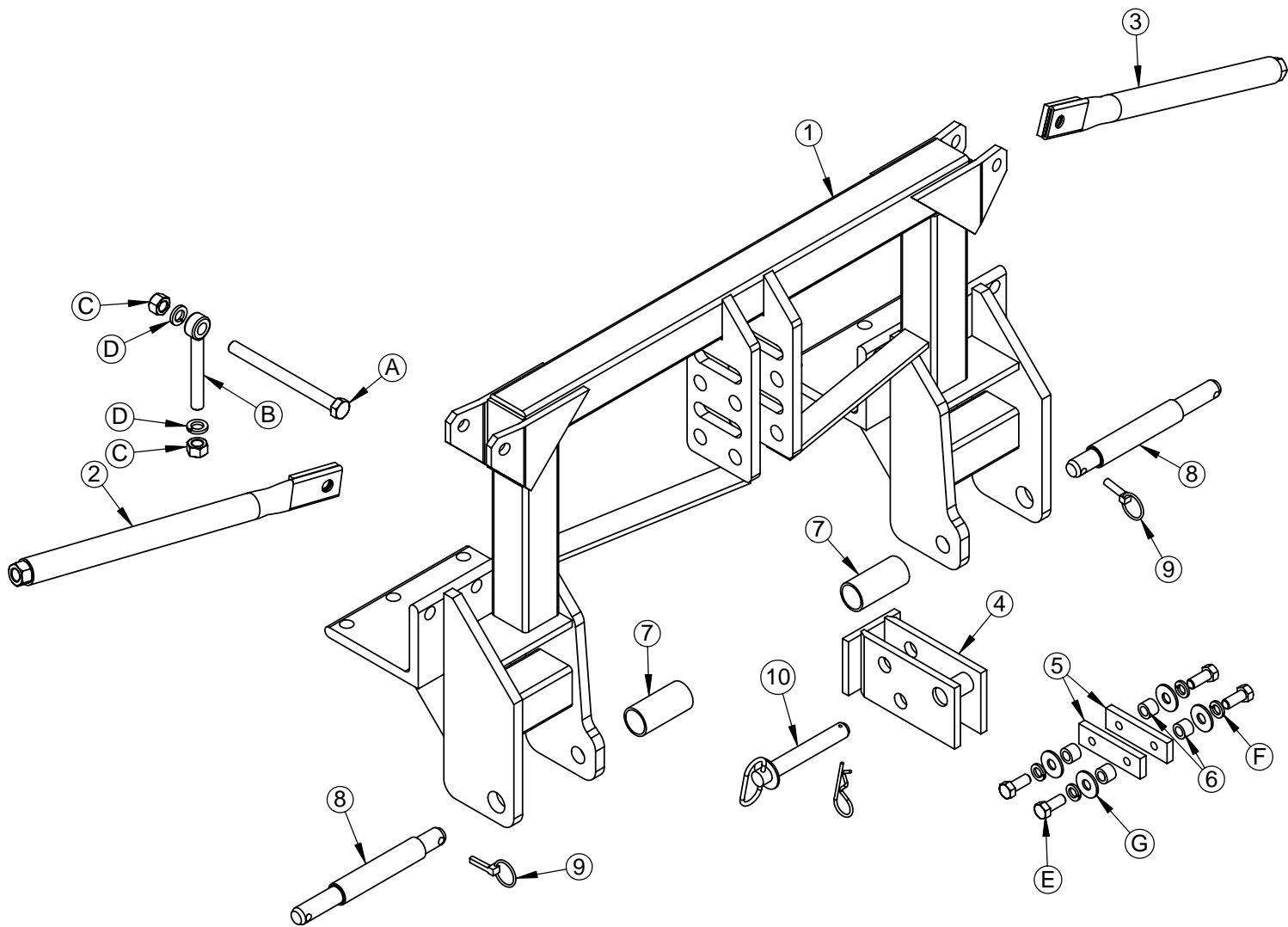
THREE POINT HITCH—PART # 80000 (1991–1993)
Parts List

<u>Item No.</u>	<u>Part No.</u>	<u>Description</u>
1.	80000	Three Point Hitch Assembly
2.	116001	Pin, Category 2-3
3.	900336	Rear Guy Rod Assembly (6 row 30" & 8 row 22")
4.	900335	Front Guy Rod Assembly (6 row 30" & 8 row 22")
5.	800120	Bottom Pin Spacer
6.	116021	Top Hitch Pin

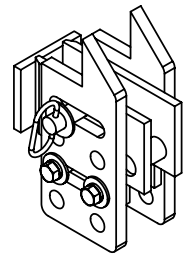
Hardware

<u>Item No.</u>	<u>Part No.</u>	<u>Description</u>
A.	118000	$\frac{3}{4}$ " \times 6" NC Eye Bolt—Grade 8
B.		$\frac{3}{4}$ " Lock Washer
C.		$\frac{3}{4}$ " Hex Nut
D.	106009	$\frac{3}{4}$ " \times 9" NC Hex Bolt—Grade 8
E.	116002	Pin, Latch for Category 1-3
F.		$\frac{3}{4}$ " \times 2 $\frac{1}{2}$ " NC Hex Bolt
Not Shown	121000	U-Bolt, Type A $\frac{3}{4}$ " \times 4" \times 8" (1988-90 / 6 required)

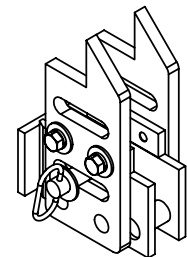
Three Point Hitch



Normal Quick Hitch
Slide Link Installation



Quick Hitch Slide Link
Installation For Double
Tool Bar Frame



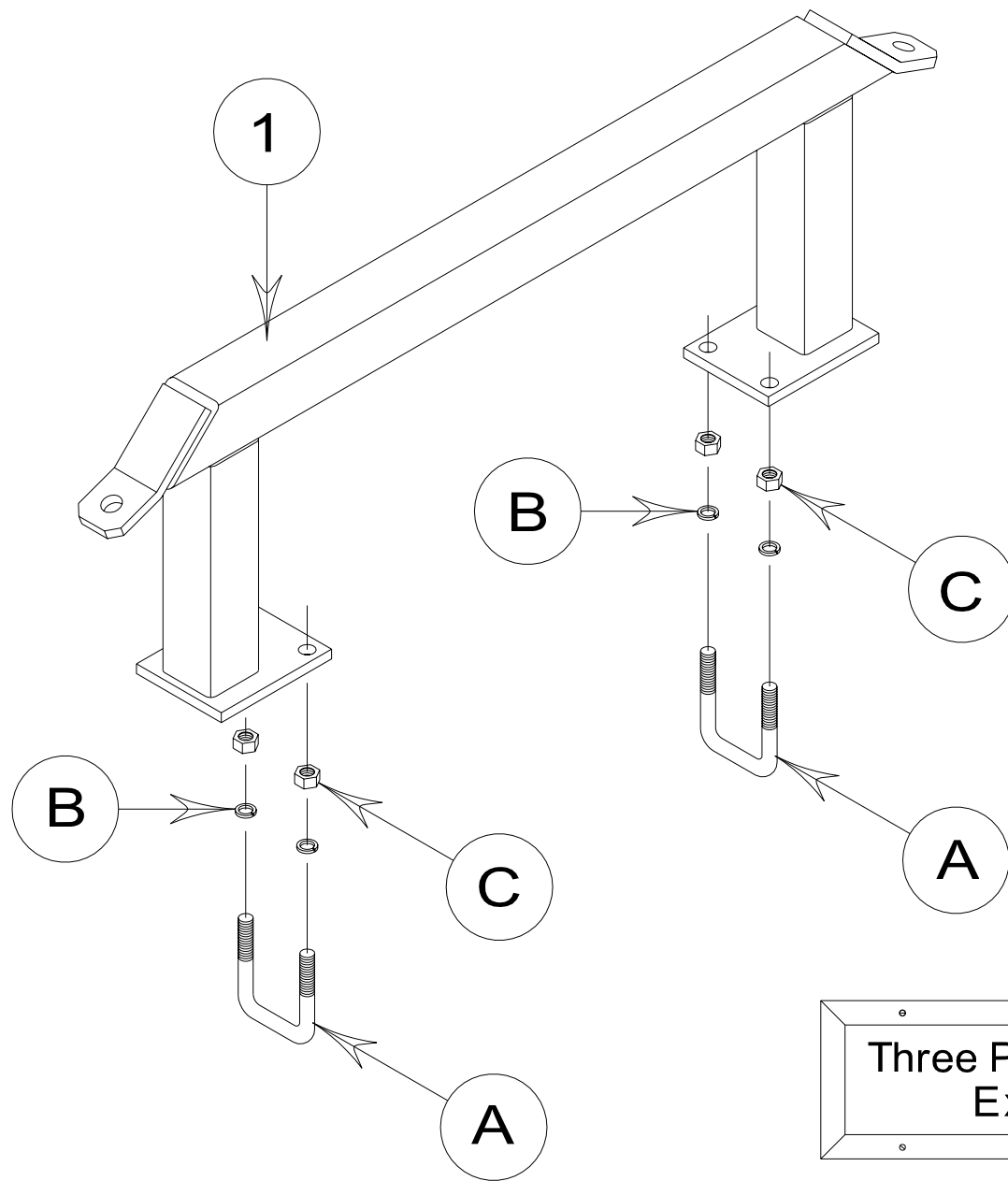
Quick Hitch Slide
Link Installation For
Category 2 Hitches

THREE POINT HITCH #800001 (1994–Present)**Parts List**

<u>Item No.</u>	<u>Part No.</u>	<u>Description</u>
1.	800001	Three Point Hitch
2.		Rear Guy Rod
	800038	Rear Guy Rod–4 Row 30
	800088	Rear Guy Rod–4 Row 36
	800011	Rear Guy Rod–4 Row 38
	800033	Rear Guy Rod–6 Row 28
	800040	Rear Guy Rod–6 Row 30 & 8 Row 22
	800060	Rear Guy Rod–6 Row 36
	800005	Rear Guy Rod–6 Row 38
	800029	Rear Guy Rod–8 Row 30
	800064	Rear Guy Rod–10 Row 20
	800068	Rear Guy Rod–12 Row 22
3.		Front Guy Rod
	800010	Front Guy Rod–4 Row 38
	800087	Front Guy Rod–4 Row 36
	800032	Front Guy Rod–6 Row 28
	800039	Front Guy Rod–6 Row 30 & 8 Row 22
	800059	Front Guy Rod–6 Row 36
	800004	Front Guy Rod–6 Row 38
	800028	Front Guy Rod–8 Row 30
	800063	Front Guy Rod–10 Row 20
	800067	Front Guy Rod–12 Row 22
4.	800095-07	Quick Hitch Slide Link (2001 – Present)
	800095	Quick Hitch Slide Link (2004 – 2000)
5.	800105	Slide Link Parallel Plate
6.	900181	Spacer (4 required)
7.	800120	Lower Three Point Pin Spacer
8.	116001	Pin, Category 2-3
9.	116002	Latch Pin
10.	116021	Top Hitch Pin

Hardware List

<u>Item No.</u>	<u>Part No.</u>	<u>Description</u>
A.	106009	3/4" x 9" NC Hex Bolt–Grade 8
B.	118000	3/4" x 6" NC Eye Bolt–Grade 8
C.		3/4" NC Hex Nut
D.		.3/4" Lock Washer
E.		5/8" x 1 1/2" NC Hex Bolt (4 required)
F.		5/8" Lock Washer (4 required)
G.		5/8" Flat Washer (4 required)



Three Point Hitch / Guy Rod
Extension Mount

THREE POINT HITCH / GUY ROD EXTENSION MOUNT # 800135**Parts List**

<u>Item No.</u>	<u>Part No.</u>	<u>Description</u>
1.	800135	Three Point Hitch / Guy Rod Extension Mount

Hardware List

<u>Item No.</u>	<u>Part No.</u>	<u>Description</u>
A.	121003	U-Bolt, Type D (5/8" x 3" x 4 1/2")
B.		5/8" Lock Washer
C.		5/8" NC Hex Nut