



# ROD CUTTER / WEEDER

**PICKETT EQUIPMENT**

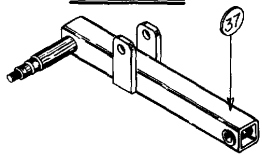
## Complete Parts Breakdown Parts Listing 1992-Present



### **Pickett Equipment**

976 East Main Street \* Phone: 208-678-0855 \* [www.pickettequipment.com](http://www.pickettequipment.com)  
Burley, Idaho 83318 \* Fax: 208-678-1404 \* [pickett@rvmi.com](mailto:pickett@rvmi.com)

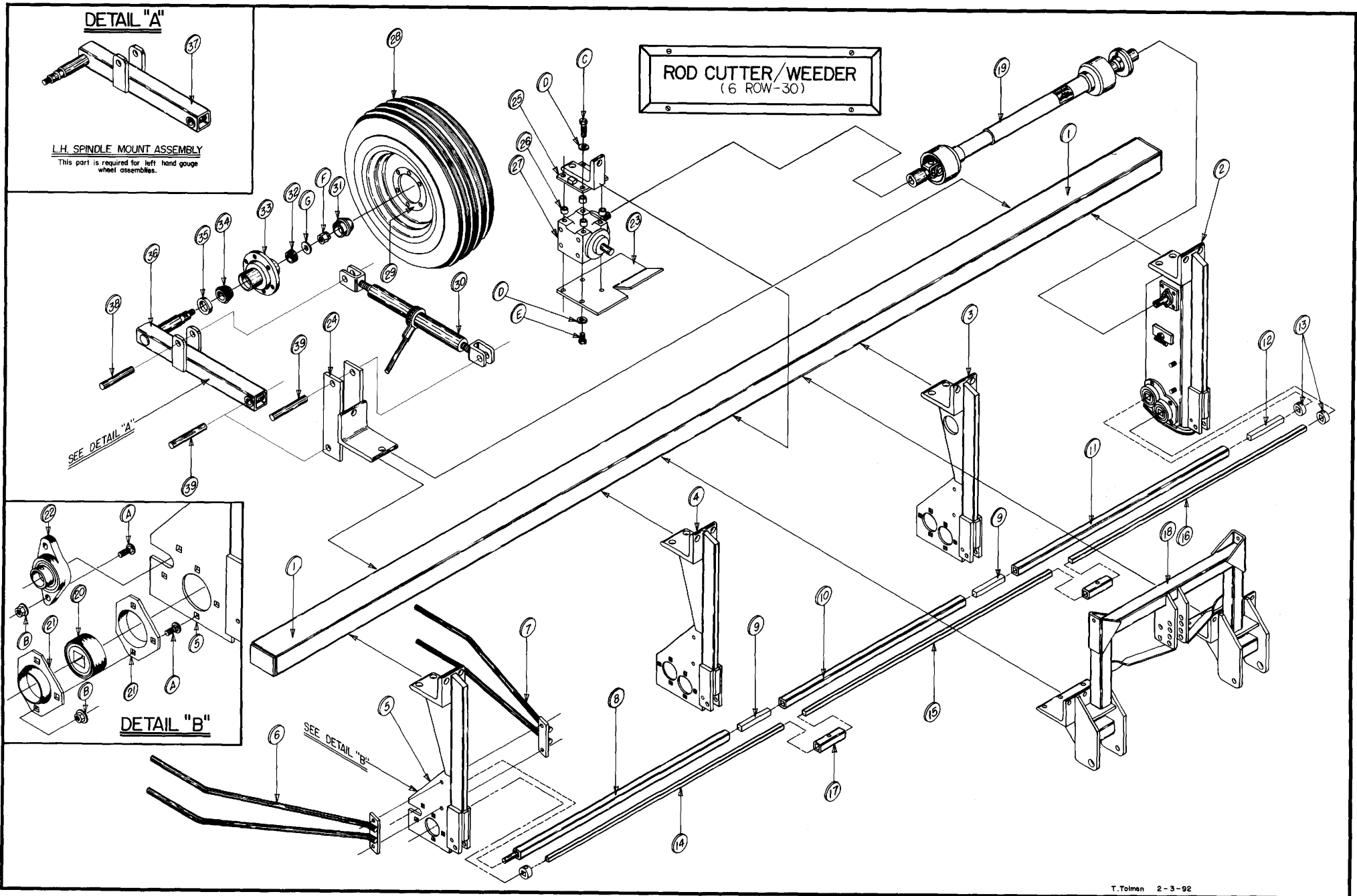
**DETAIL "A"**



**L.H. SPINDLE MOUNT ASSEMBLY**

This part is required for left hand gouge wheel assemblies.

**ROD CUTTER/WEEDER  
(6 ROW-30)**



## ROD CUTTER / WEEDER (1992–Present)

### Parts List

<u>Item No.</u>	<u>Part No.</u>	<u>Description</u>
1.	900581	4" × 6" Tool Bar with end caps–16'
2.	900565 RW	Complete Universal Chain Case Shank
3.	900590 RW★	Two Hole Center Shank } Replaced by 900405RW / 1994–Present
4.	900405 RW	Two Hole Center Shank without PTO
5.	900408 RW★	End Shank } Replaced by 900405RW / 1994–Present
6.	300033	R.H. Deflector Rods
7.	300034	L.H. Deflector Rods
8.	900030	Kicker Rod–End (1992–1993) (◆ See Note)
9.	900032	Kicker Rod Key
10.	900029	Kicker Rod (Center) (1992-1993) (◆ See Note)
11.	900580	Kicker Rod (Chain Case) (1992-1993) (◆ See Note)
12.	900562	Gear Box Kicker Rod Key
13.	103038	Collar, Lock 1" Square
14.	900461-59.5	1" Cutter Rod (End) (1992-1993) (◆ See Note)
15.	900461-59.5	1" Cutter Rod Coupler (Center) (1992–1993) (◆ See Note)
16.	900461-66.25	1" Cutter Rod (Chain Case) (1992-1993) (◆ See Note)
17.	900373	Cutter Rod Coupler
18.	800000★	Three Point Hitch } Replaced by 800001 / 1994–Present
19.	104006	Drive Line, Gear Box to Chain Case } Replaced by 104011
20.	102000	Bearing, 1" Square
21.	106007	Flangett, 3-Hole, Square
22.	102016	Bearing, 1", 2-Hole Flange, Triple Seal (1992–1993)
23.	900254★	PTO Gear Box Shield (can be updated with 901280)
24.	700177★	Gauge Wheel Mount
25.	900180	PTO Gear Box Mount (can be updated with 900925)
26.	900181	PTO Mount Spacer
27.	107001	Gear Box, L.H.
28.	120008	Tire, Gauge Wheel
29.	123003	Wheel, Gauge
30.	120003	Turnbuckle, Gauge Wheel Ratchet Jack
31.	103047	Covers, Dust Gauge Wheel Hub
32.	102036	Bearing, Gauge Wheel Hub, 1¼"
33.	108057	Hub, Gauge
34.	102037	Bearing, Gauge Wheel Hub, 13/8"
35.	119066	Seal, Grease Gauge Wheel Hub
36.	700126★	R.H. Spindle Mount Assembly
37.	700179★	L.H. Spindle Mount Assembly
38.	700163★	5" Gauge Wheel Pin
39.	700162★	6" Gauge Wheel Pin
Not Shown	700176L★	Complete L.H. Gauge Wheel Assembly
Not Shown	700176R★	Complete R.H. Gauge Wheel Assembly

This page was  
left blank  
intentionally

---

## ROD CUTTER / WEEDER (1992–Present)

### Hardware List

<u>Item No.</u>	<u>Part No.</u>	<u>Description</u>
A.		1/2" × 1" NC Carriage Bolt
B.		1/2" NC Whiz Nut
C.		1/2" × 2" NC Hex Bolt
D.		1/2" Lock Washer
E.		1/2" × 3/4" NC Hex Bolt
F.		7/8" NF Castellated Hex Nut
G.		7/8" Flat Washer

★ This part is manufactured on a built-to-order basis only. Call Pickett Equipment for availability and lead-time.

◆ For cutter and kicker rod lengths on models 1994–Present, contact Pickett Equipment.