

Service Updates

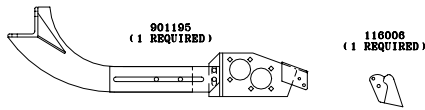
Belly Shank Conversion Kits

Section 2

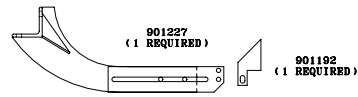
8 Row 22 Belly Shank Conversion	2-3
Complete Rear Pull Belly Shank Assembly	4-5
Complete One Step Ahead Belly Shank Assembly	6-7

Return to this page by clicking the upper right corner of any page in this section.

BELLY SHANK



CHAIN CASE BRACE



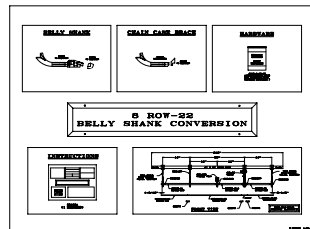
HARDWARE



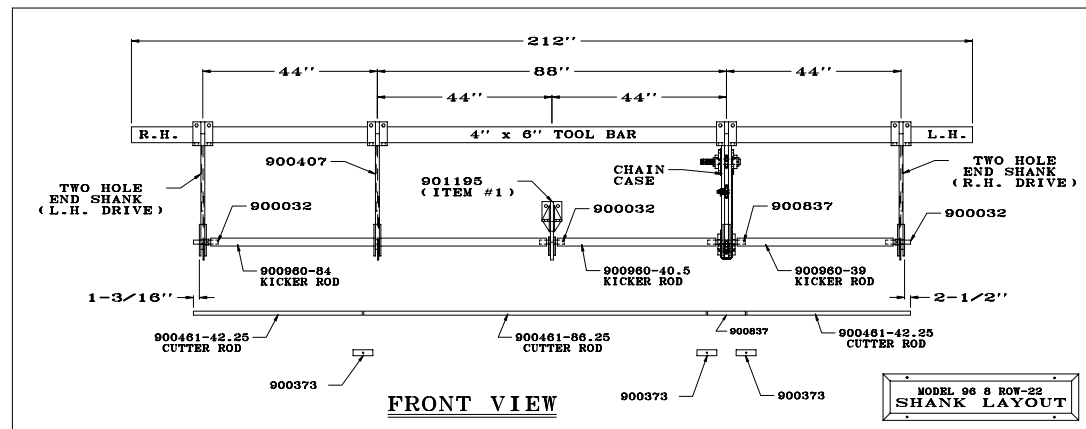
BOLT PACKAGE
(SEE HARDWARE LIST
FOR COMPLETE BOLT
PACKAGE LISTINGS.)

8 ROW-22 BELLY SHANK CONVERSION

INSTRUCTIONS



901324
(1 REQUIRED)



901324

8 Row 22 Belly Shank Conversion (900845)

(This kit is available for model years 1993–Present only)

Parts List

<u>Item No.</u>	<u>Part No.</u>	<u>Qty</u>	<u>Description</u>
1.	901195	1	Belly Shank Assembly, Complete (★ See Note)
2.	901227	1	Chain Case Brace, Complete (★★ See Note)
3.	901192	1	Chain Case Brace Mount—See Hardware Items: E, F, G
4.	116006	1	Shear Point—See Hardware Items: H, I, J
5.	901324	1	Mounting Instructions

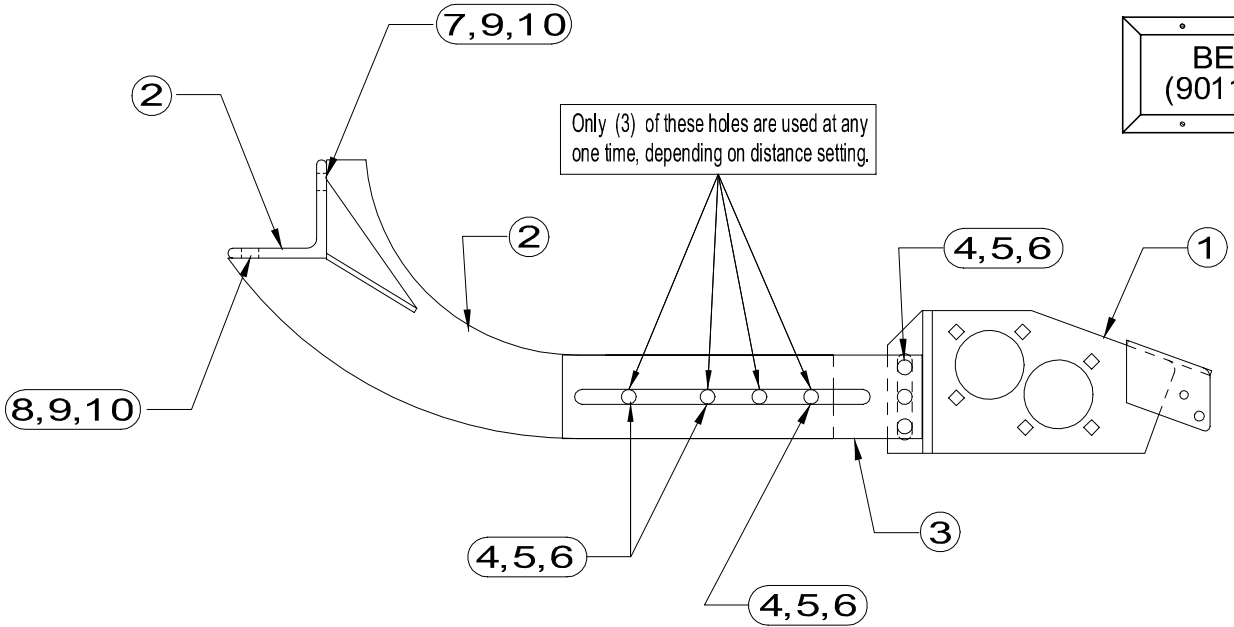
Hardware List

<u>Item No.</u>	<u>Part No.</u>	<u>Qty</u>	<u>Description</u>
A.	118029	4	3/4" × 5" NC Eye Bolt, Grade 8
B.		4	3/4" × 5 1/2" NC Hex Bolt, Grade 8
C.		8	3/4" Lock Washer
D.		8	3/4" NC Hex Nut, Grade 8
E.		7	3/4" × 2 1/2" NC Hex Bolt, Grade 5
F.	106029	7	3/4" NC Whiz Nut
G.	106030	7 pr	3/4" Disc-type Lock Washer
H.		1	1/2" × 2" Roll Pin
I.		1	3/8" × 2 1/4" NC Hex Bolt
J.		1	3/8" NC Whiz Nut

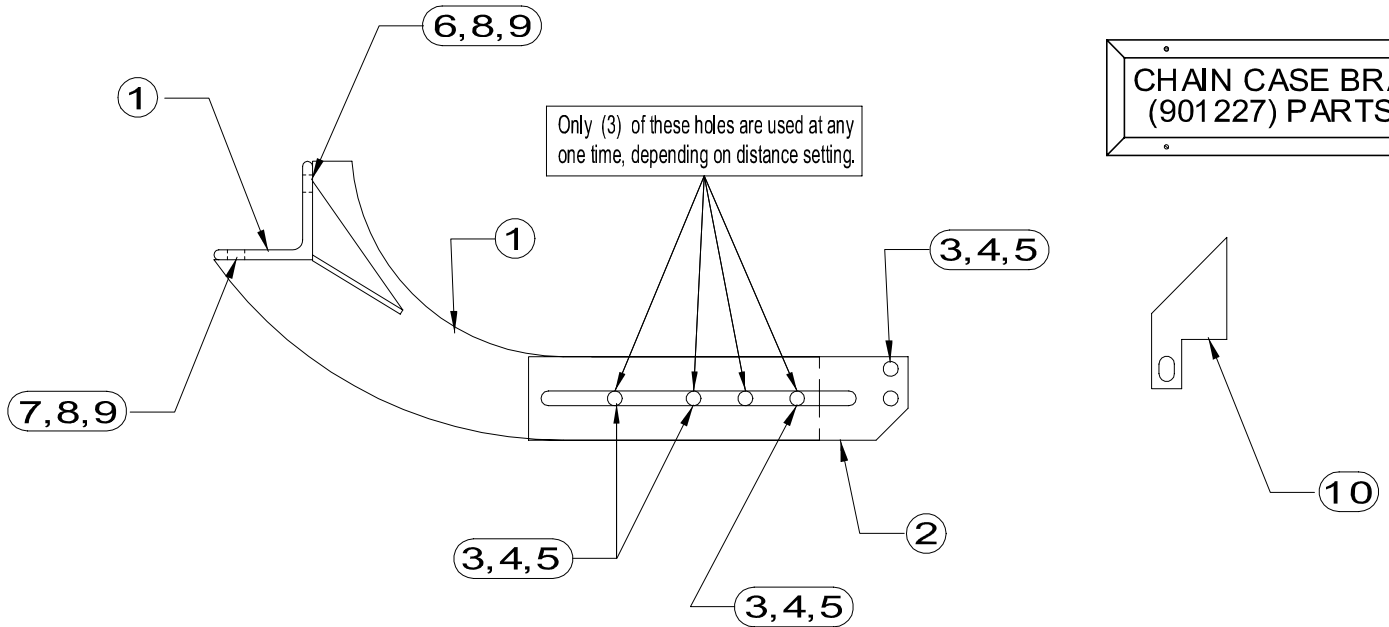
★ This assembly contains: (1) 901189 front tip, (1) 901190 rear mount, (2) 901191 slide plates, and hardware items: A,B,C,D,E,F,G.

★★ This assembly contains: (1) 901190 rear mounts, (2) 901191 slide plates, and hardware items: A, B, C, D, E, F, G

BELLY SHANK ASSEMBLY
(901195) PARTS BREAKDOWN



CHAIN CASE BRACE ASSEMBLY
(901227) PARTS BREAKDOWN



Complete (Rear Pull) Belly Shank Assembly (901195)

(Parts Breakdown Only)

Parts List

<u>Item No.</u>	<u>Part No.</u>	<u>Qty</u>	<u>Description</u>
1.	901189	1	Front Tip
2.	901190	1	Rear Mount
3.	901186	2	Slide Plates
4.		6	$\frac{3}{4}$ " \times 2 $\frac{1}{2}$ " NC Hex Bolts, Grade 5
5.	106029	6	$\frac{3}{4}$ " NC Whiz Nuts
6.	106030	6 pair	Disc-type Lock Washers
7.		2	$\frac{3}{4}$ " \times 5 $\frac{1}{2}$ " NC Hex Bolts, Grade 8
8.	118029	2	$\frac{3}{4}$ " \times 5" NC Eye Bolts, Grade 8
9.		4	$\frac{3}{4}$ " Lock Washers
10.		4	$\frac{3}{4}$ " NC Hex Nut, Grade 8

Complete (Rear Pull) Chain Case Brace Assembly (901227)

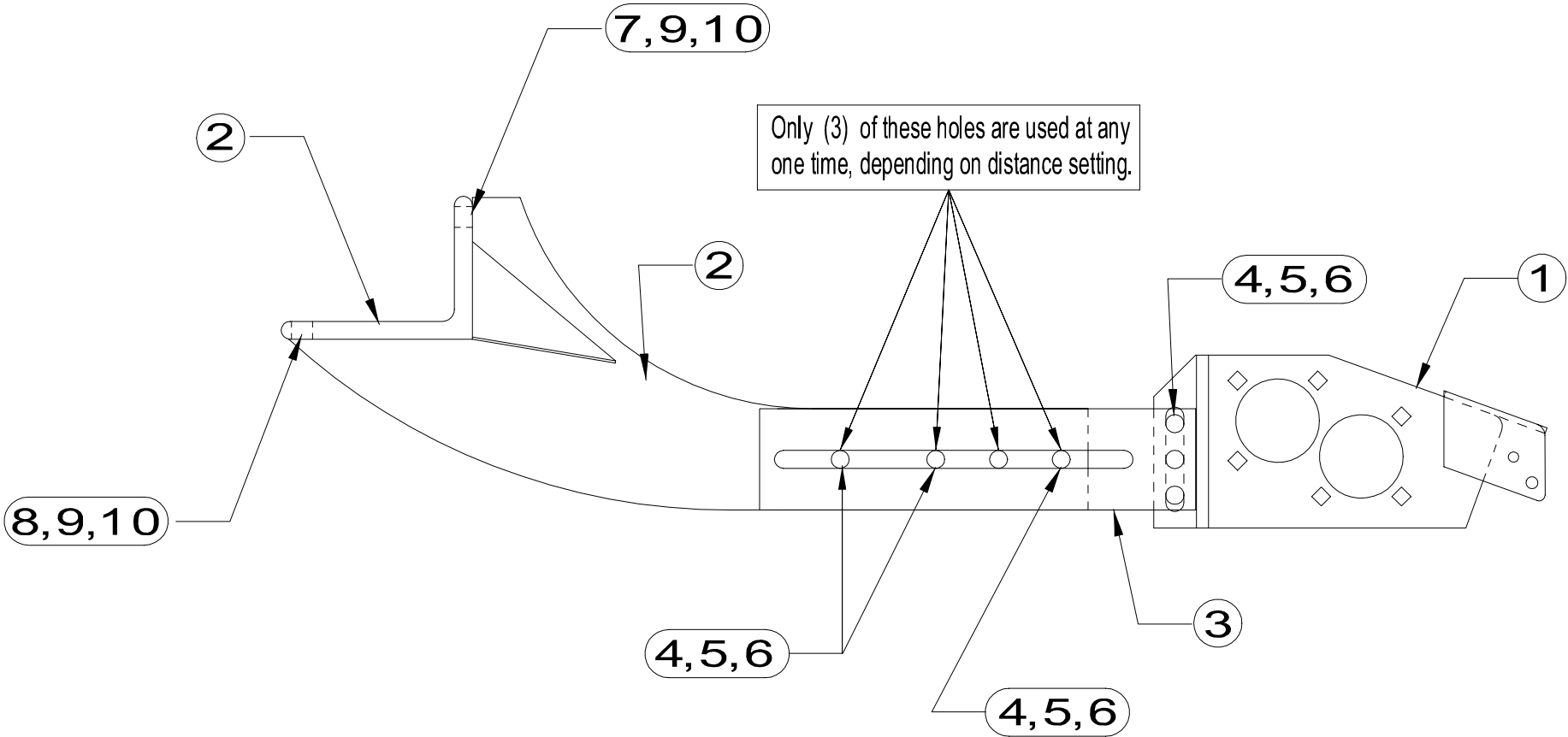
(Parts Breakdown Only)

Parts List

<u>Item No.</u>	<u>Part No.</u>	<u>Qty</u>	<u>Description</u>
1.	901190	1	Rear Mount
2.	901191	2	Slide Plates
3.		5	$\frac{3}{4}$ " \times 2 $\frac{1}{2}$ " NC Hex Bolts, Grade 5
4.	106029	5	$\frac{3}{4}$ " NC Whiz Nuts
5.	106030	5 pr	Disc-type Lock Washers
6.		2	$\frac{3}{4}$ " \times 5 $\frac{1}{2}$ " NC Hex Bolts, Grade 8
7.	118029	2	$\frac{3}{4}$ " \times 5" NC Eye Bolts, Grade 8
8.		4	$\frac{3}{4}$ " Lock Washers
9.		4	$\frac{3}{4}$ " NC Hex Nut, Grade 8
10.	901192	0	Chain Case Weld-on Mount ** See Note

** Part number 901192 is not included in the complete chain case brace assembly (901227). If this chain case brace (901227) is to be used on a 1993–1994 machine. Part number 901192 must be ordered separately.

**BELLY SHANK ASSEMBLY
(905275) PARTS BREAKDOWN**



Complete (Ahead) Belly Shank Assembly (905275)

(Parts Breakdown Only)

Parts List

<u>Item No.</u>	<u>Part No.</u>	<u>Qty</u>	<u>Description</u>
1.	901189	1	Front Tip
2.	905270	1	Rear Mount
3.	901186	2	Slide Plates
4.		6	$\frac{3}{4}$ " \times 2 $\frac{1}{2}$ " NC Hex Bolts, Grade 5
5.	106029	6	$\frac{3}{4}$ " NC Whiz Nuts
6.	106030	6 pr	Disc-type Lock Washers
7.	106009	2	$\frac{3}{4}$ " \times 9" NC Hex Bolts, Grade 8
8.	118000	2	$\frac{3}{4}$ " \times 6" NC Eye Bolts, Grade 8
9.		4	$\frac{3}{4}$ " Lock Washers
10.		4	$\frac{3}{4}$ " NC Hex Nut, Grade 8