

Twin Master Combine

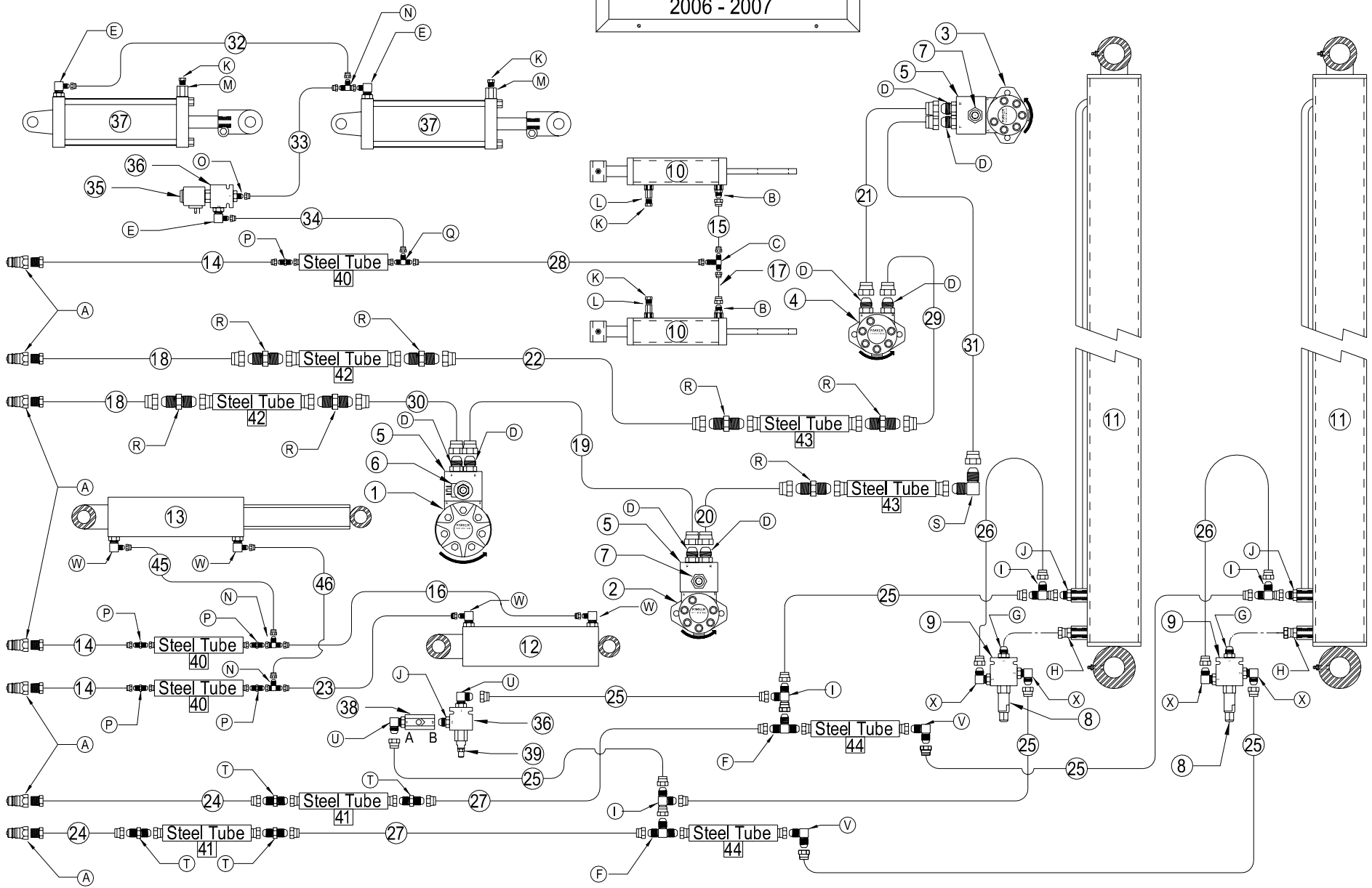
Hydraulic Systems

Section 11

Hydraulic Systems (2006 – 2007)	2-5
Hydraulic Systems (2008 – Present).....	6-9

Return to this page by clicking the upper right corner of any page in this section.

TWIN MASTER
HYDRAULIC SYSTEM
2006 - 2007



Twin Master Hydraulic System (2006 – 2007)

Parts List

<u>Item No.</u>	<u>Part No.</u>	<u>Qty</u>	<u>Description</u>
1.	113038	1	Pickup Head and Star Motor (TG0475AM031AAAA)
1a.	119110		Seal Kit for Item 1
2.	113039	1	Shaker Table Motor (TE0100AM100AAAA)
3.	113040	1	Elevator Motor (TE0295AM100AAAA)
4.	113041	1	Leveling Auger Motor (TE0260AS100AAAA)
4a.	119109		Seal Kit for Items 2, 3 & 4
5.	113042	3	Flow Control Valve Manifold (100017369)
6.	122048	1	Electric Flow Control Valve Cartridge (PV72-30A-0-N-12DG)
7.	122051	2	Manual Flow Control Valve Cartridge (FR12-33-A-0-N)
8.	122047	2	Counterbalance Valve (RS08-01-C-N-4-500-F-300)
9.	122053	2	Valve, Body (FH083-AS6)
10.	103139	2	Pickup Head Ram (2 x 6)
10a.	119253		Seal Kit for Item 10
11.	103140	2	Bin Lift Ram (4 1/2 x 90)
11a.	119241		Seal Kit for Item 11
12.	103159	1	Tongue Swing Ram (4 x 20)
13.	103161	1	Tongue Swing Ram with extension (4 x 20)
13a.	119363		Seal Kit for Items 12 & 13
14.	108231	3	Hose Pickup Head & Swing Tongue Ram 6M2T-8MP6FJX-05600
15.	108233	1	Hose Pickup Head Ram 6M2T-6FJX6FJX90-15400
16.	108263	1	Hose Tongue Swing Ram 6M2T-6FJX6FJX90-04200
17.	108235	1	Hose Pickup Head Ram 6M2T-6FJX6FJX90-06400
18.	108236	2	Pressure Hose Tractor to Pickup Head 12M2T-8MP12FJX-05600
19.	108237	1	Hose Pickup Head to Shaker Motor 12M2T-12FJX12FJX-12000
20.	108238	1	Hose Shaker Motor to Steel Tube 12M2T-12FJX12FJX90-03000
21.	108239	1	Hose Elevator to Bin Leveling Auger 12M2T-12FJX12FJX90-46200
22.	108240	1	Hose Return Steel Tube to Steel Tube 12M2T-12FJX12FJX-13600
23.	108264	1	Hose Tongue Swing Ram 6M2T-6FJX6FJX-03500
24.	108242	2	Hose Bin Dump 8M2T-8MP8FJX-05600
25.	108121	6	Hose Bin Dump 8M2T-8FJX8FJX-02800
26.	108244	2	Hose Counterbalance Pilot 8M2T-8FJX8FJX-01600
27.	108245	2	Hose Bin Dump Steel Tube to Steel Tube 8M2T-8FJX8FJX-21600
28.	108246	1	Hose Pickup Head Steel Tube to Steel Tube 6M2T-6FJX6FJX-14200
29.	108247	1	Hose Return Leveling Auger 12M2T-12FJX12FJX90-37800
30.	108243	1	Hose Steel Tube to Pickup Head Motor 12M2T-12FJX12FJX-17400
31.	108258	1	Hose Pressure Steel Tube to Elevator 12M2T-12FJX12FJX90-16400
32.	108260	1	Hose Tilt Ram to Tilt Ram 6M2T-6FJX6FJX-10000
33.	108261	1	Hose On/Off Valve to Tilt Ram 6M2T-6FJX6FJX-04400
34.	108262	1	Hose Steel Tube to On/Off Valve 6M2T-6FJX6FJX-02400
35.	122026	1	On/Off Valve (WK10W 01-AS8-N-12-DG)

Twin Master Hydraulic System (2006 – 2007)

Parts List

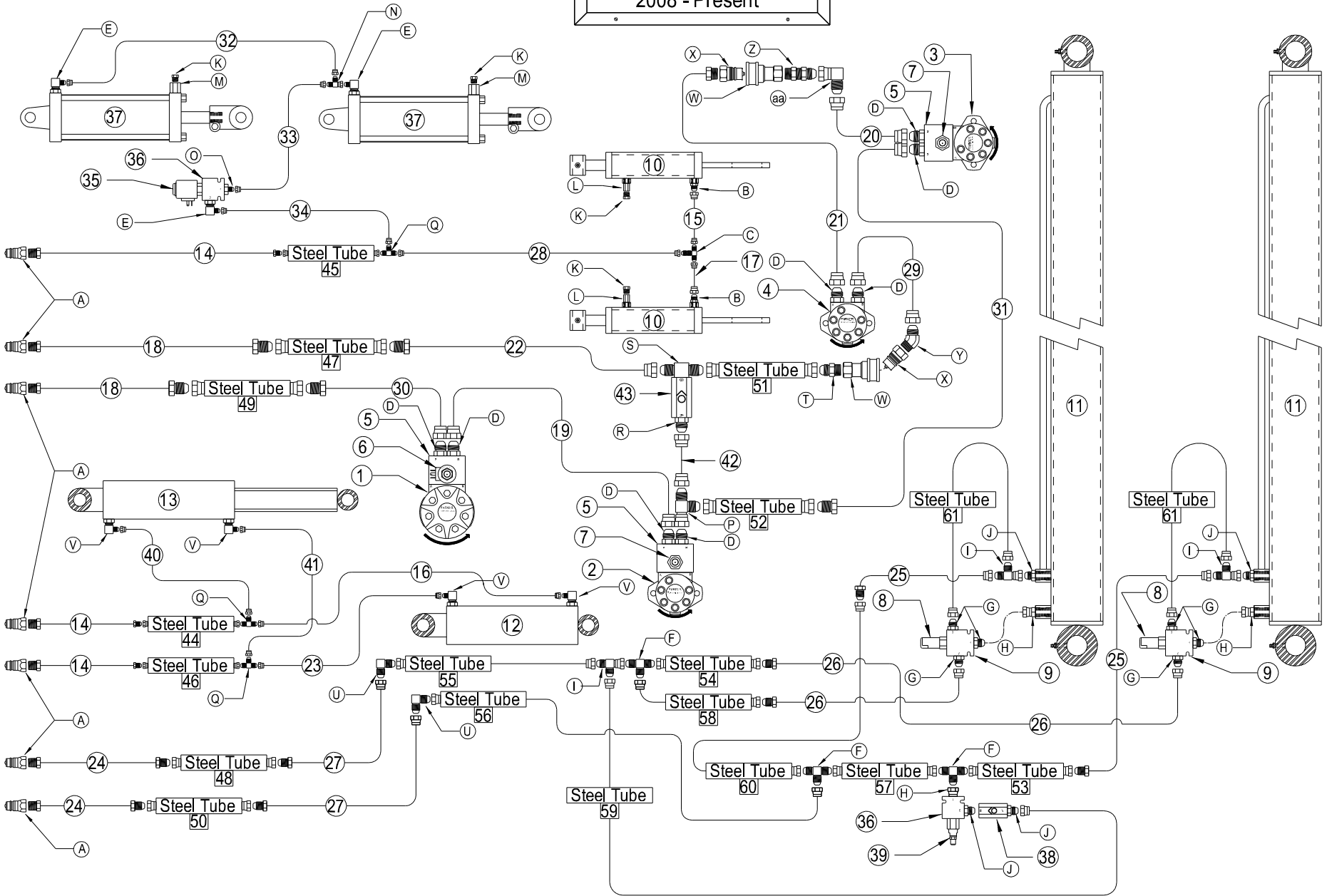
<u>Item No.</u>	<u>Part No.</u>	<u>Qty</u>	<u>Description</u>
36.	122056	2	Valve, Body (FH102-AS8)
37.	103131	2	Tilt Ram (4 x 8)
37a.	119336		Seal Kit for Item 37
38.	122025	1	One Way Check Valve
39.	122055	1	Pressure Relief Valve (DB10P-01-AS8-N-180-K)
40.	120025	3	Steel Tube # 6 x 12'
41.	120026	2	Steel Tube # 8 x 12'
42.	120028	2	Steel Tube # 12 x 12'
43.	120029	2	Steel Tube # 12 x 8'
44.	120027	2	Steel Tube # 8 x 6'
45.	108265	1	Hose Tongue Swing Ram 6M2T-6FJX6FJX-06800
46.	108266	1	Hose Tongue Swing Ram 6M2T-6FJX6FJX-07000)

Twin Master Hydraulic System (2006 – 2007) continued

Hardware List

<u>Item No.</u>	<u>Part No.</u>	<u>Qty</u>	<u>Description</u>
A.	101160	7	Male Quick Coupler
B.	101186	2	6400 6-6 – MJ-MORB Straight
C.	101187	1	2703 6-6-6 – MJ-MJ-MJ Bulkhead Branch Tee
D.	101061	8	6400 12-10 – MJ-MORB Straight
E.	101188	3	6801 6-8 – MJ-MAORB 90°
F.	101037	2	2603 8-8-8 – MJ-MJ-MJ Tee
G.	101065	2	6400 8-6 – MJ-MORB Straight
H.	101068	2	6402 8-8 – MORB-FJS Straight
I.	101079	4	6602 8-8-8 – MJ-FJS-MJ Tee
J.	101066	3	6400 8-8 – MJ-MORB Straight
K.	101153	4	1/4" Breather
L.	101199	2	6405 6-4 – MORB-FP Straight
M.	101200	2	6405 8-4 – MORB-FP Straight
N.	101178	3	6602 6-6-6 – MJ-FJS-MJ Tee
O.	101201	1	6400 6-8 – MJ-MORB Straight
P.	101202	5	2403 6-6 – MJ-MJ Straight
Q.	101183	1	2603 6-6-6 – MJ-MJ-MJ Tee
R.	101203	7	2403 12-12 – MJ-MJ Straight
S.	101204	1	2500 12-12 – MJ-MJ 90°
T.	101205	4	2403 8-8 – MJ-MJ Straight
U.	101081	2	6801 8-8 – MJ-MAORB 90°
V.	101206	2	2500 8-8 – MJ-MJ 90°
W.	101207	4	6801 6-10 – MJ-MAORB 90°
X.	101154	4	6801 8-6 – MJ-MAORB 90°

TWIN MASTER HYDRAULIC SYSTEM 2008 - Present



Twin Master Hydraulic System (2008 – Present)

Parts List

<u>Item No.</u>	<u>Part No.</u>	<u>Qty.</u>	<u>Description</u>
1.	113038	1	Pickup Head and Star Motor (TG0475AM031AAAA)
1a.	119110		Seal Kit for Item 1
2.	113039	1	Shaker Table Motor (TE0100AM100AAAA)
3.	113040	1	Elevator Motor (TE0295AM100AAAA)
4.	113041	1	Leveling Auger Motor (TE0260AS100AAAA)
4a.	119109		Seal Kit for Items 2, 3 & 4
5.	113042	3	Flow Control Valve Manifold (1100017369)
6.	122048	1	Electric Flow Control Valve Cartridge (PV72-30A-M-0-N-12DG)
6a.	103188		Coil, Electric Flow Control Valve (Replacement for Item # 6)
7.	122051	2	Manual Flow Control Valve Cartridge (FR12-33-A-0-N)
8.	122047	2	Counterbalance Valve (RS08-01-C-N-4-500-F-300)
9.	122053	2	Valve, Body (FH083-AS6)
10.	103139	2	Pickup Head Ram (2 x 6)
10a.	119253		Seal Kit for Item 10
11.	103140	2	Bin Lift Ram (4 1/2 x 90)
11a.	119241		Seal Kit for Item 11
12.	103159	1	Tongue Swing Ram (4 x 20)
13.	103161	1	Tongue Swing Ram with extension (4 x 20)
13a.	119363		Seal Kit for Items 12 & 13
14.	108267	3	Hose Pickup Head & Swing Tongue Ram 6M2T-8MP6MJ-05600
15.	108233	1	Hose Pickup Head Ram 6M2T-6FJX6FJX90-15400
16.	108268	1	Hose Tongue Swing Ram 6M2T-6FJX6FJX90-07000
17.	108235	1	Hose Pickup Head Ram 6M2T-6FJX6FJX90-06400
18.	108269	2	Hose Pressure Tractor to Pickup Head 12M2T-8MP12MJ-05600
19.	108237	1	Hose Pickup Head to Shaker Motor 12M2T-12FJX12FJX-12000
20.	108270	1	Hose Elevator Motor to Quick Coupler 12M2T-12FJX12FJX90-11000
21.	108271	1	Hose Quick Coupler to Bin Leveling Auger 12M2T-12MP12FJX90-34800
22.	108272	1	Hose Return Steel Tube to Steel Tube 12M2T-12FJX12MJ-14000
23.	108273	1	Hose Tongue Swing Ram 6M2T-6FJX6FJX90-07400
24.	108274	2	Hose Bin Dump 8M2T-8MP8MJ-05600
25.	108275	2	Hose Bin Dump 8M2T-8MJ8FJX90-02600
26.	108276	2	Hose Bin Dump Counterbalance 8M2T-8MJ8FJX45-02100
27.	108277	2	Hose Bin Dump Steel Tube to Steel Tube 8M2T-8MJ8FJX-14400
28.	108246	1	Hose Pickup Head Steel Tube to Tee 6M2T-6FJX6FJX-14200
29.	108278	1	Hose Return Leveling Auger 12M2T-12FJX12FJX90-35000
30.	108279	1	Hose Steel Tube to Pickup Head Motor 12M2T-12MJ12FJX-15600
31.	108280	1	Hose Pressure Steel Tube to Elevator 12M2T-12MJ12FJX90-13100
32.	108283	1	Hose Tilt Ram to Tilt Ram 6M2T-6FJX6FJX90-10600
33.	108261	1	Hose On/Off Valve to Tilt Ram 6M2T-6FJX6FJX-04400
34.	108284	1	Hose Steel Tube to On/Off Valve 6M2T-6FJX6FJX90-02200
35.	122026	1	On/Off Valve (WK10W 01-AS8-N-12-DG)
36.	122056	2	Valve, Body (FH102-AS8)

Twin Master Hydraulic System (2008 – Present) continued

Parts List

<u>Item No</u>	<u>Part No.</u>	<u>Qty.</u>	<u>Description</u>
37.	103131	2	Tilt Ram (4 x 8)
37a.	119336		Seal Kit for Item 37
38.	122025	1	One Way Check Valve
39.	122055	1	Pressure Relief Valve (DB10P-01-AS8-N-180-K)
40.	108281	1	Hose Tongue Swing Ram 6M2T-6FJX6FJX-15000
41.	108282	1	Hose Tongue Swing Ram 6M2T-6FJX6FJX-12800
42.	108345	1	Hose Shaker Motor to One Way Check Valve 12M2T-12FJX12FJX-00900
43.	122057	1	3/4" One way check valve
44.	120032	1	Steel Tube # 6 Located on pull tongue approximately 171" Tongue swing
45.	120033	1	Steel Tube # 6 Located on pull tongue approximately 174" Pickup head
46.	120034	1	Steel Tube # 6 Located on pull tongue approximately 173" Tongue swing
47.	120035	1	Steel Tube # 12 Located on pull tongue approximately 176" Motor circuit
48.	120036	1	Steel Tube # 8 Located on pull tongue approximately 174" Dump bin
49.	120037	1	Steel Tube # 12 Located on pull tongue approximately 180" Motor circuit
50.	120038	1	Steel Tube # 8 Located on pull tongue approximately 177" Dump bin
51.	120039	1	Steel Tube # 12 Located on left side approximately 103" Motor circuit
52.	120040	1	Steel Tube # 12 Located on left side approximately 129" Motor circuit
53.	120042	1	Steel Tube # 8 Located on right side approximately 80" Dump bin
54.	120043	1	Steel Tube # 8 Located on right side approximately 102" Dump bin
55.	120044	1	Steel Tube # 8 Located on right side approximately 53" Dump bin
56.	120045	1	Steel Tube # 8 Located on right side approximately 77" Dump bin
57.	120046	1	Steel Tube # 8 Located on right side approximately 9" Dump bin
58.	120048	1	Steel Tube # 8 Located on right side approximately 15" Dump bin
59.	120049	1	Steel Tube # 8 Located on right side approximately 21" Dump bin
60.	120050	1	Steel Tube # 8 Located on right side approximately 18" Dump bin
61.	120051	2	Steel Tube # 8 Located on right side approximately 9" Dump bin

Twin Master Hydraulic System (2008 – Present) continued

Hardware List

<u>Item No.</u>	<u>Part No.</u>	<u>Qty.</u>	<u>Description</u>
A.	101160	7	Male Quick Coupler
B.	101186	2	6400 6-6 – MJ-MORB Straight
C.	101187	1	2703 6-6-6 – MJ-MJ-MJ Bulkhead Branch Tee
D.	101061	8	6400 12-10 – MJ-MORB Straight
E.	101188	3	6801 6-8 – MJ-MAORB 90°
F.	101037	3	2603 8-8-8 – MJ-MJ-MJ Tee
G.	101065	6	6400 8-6 – MJ-MORB Straight
H.	101068	3	6402 8-8 – MORB-FJS Straight
I.	101079	3	6602 8-8-8 – MJ-FJS-MJ Tee
J.	101066	4	6400 8-8 – MJ-MORB Straight
K.	101153	4	1/4" Breather
L.	101199	2	6405 6-4 – MORB-FP Straight
M.	101200	2	6405 8-4 – MORB-FP Straight
N.	101178	1	6602 6-6-6 – MJ-FJS-MJ Tee
O.	101201	1	6400 6-8 – MJ-MORB Straight
P.	101149	1	6602 12-12-12 – MJ-FJS-MJ Tee
Q.	101183	3	2603 6-6-6 – MJ-MJ-MJ Tee
R.	101062	1	6400 12-12 – MJ-MORB Straight
S.	101212	1	6803 12-12-12 – MJ-MJ-MAORB Branch Tee
T.	101016	1	2404 12-12 – MJ-MP Straight
U.	101206	2	2500 8-8 – MJ-MJ 90°
V.	101207	4	6801 6-10 – MJ-MAORB 90°
W.	101208	2	3/4" Female Quick Coupler
X.	101209	2	3/4" Male Quick Coupler
Y.	101210	1	2503 12-12 – MJ-MP 45°
Z.	101211	1	2706 12-12 – MP-MJ Bulkhead Straight
aa.	101195	1	6500 12-12 – MJ-FJS 90°