



WINDROWER

PICKETT EQUIPMENT

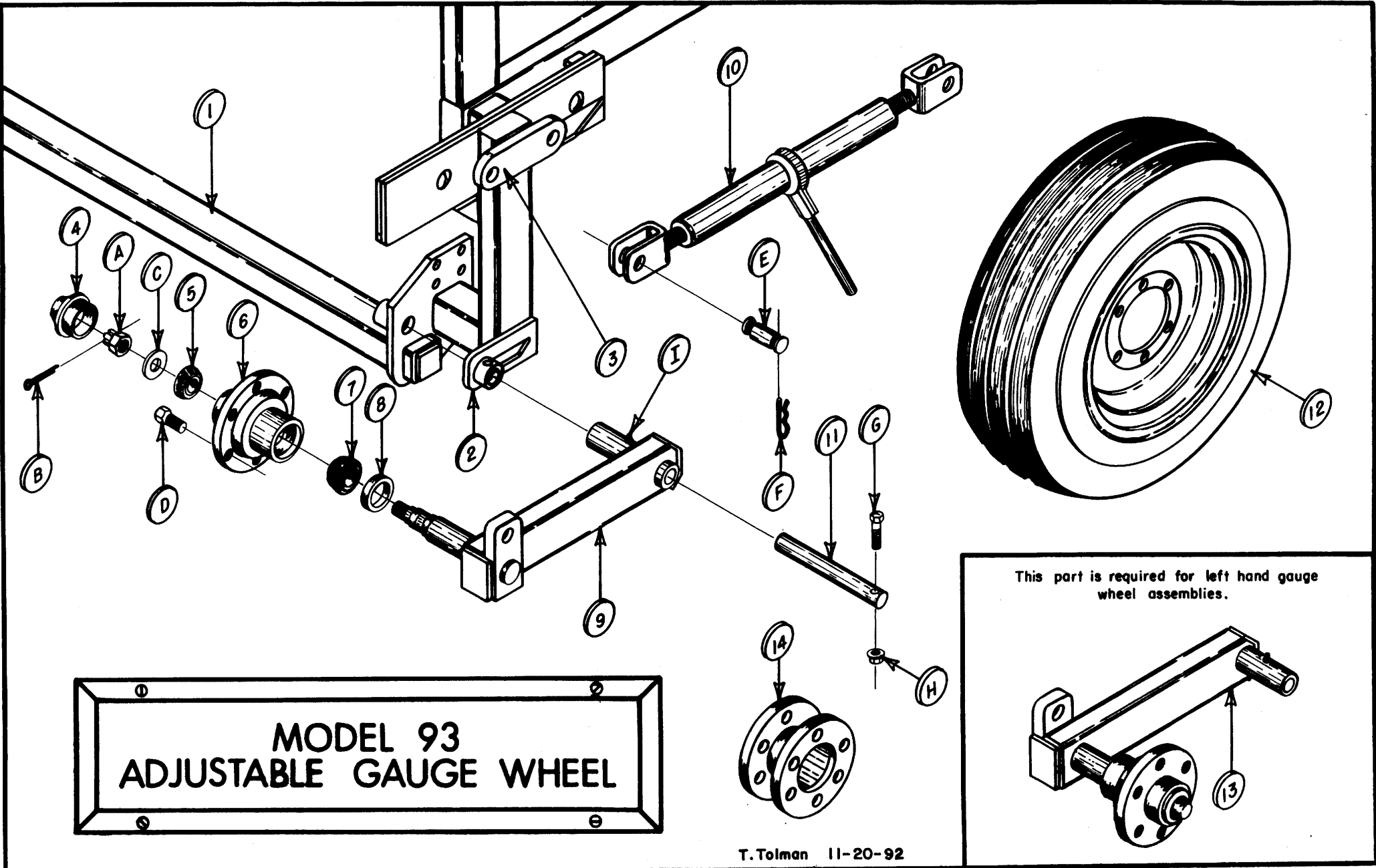
SECTION 2

Gauge Wheels Parts Listing 1993-Present



Pickett Equipment

976 East Main Street * Phone: 208-678-0855 * www.pickettequipment.com
Burley, Idaho 83318 * Fax: 208-678-1404 * pickett@rvmi.com



ADJUSTABLE GAUGE WHEEL, (1993–Present)

Parts List

<u>Item No.</u>	<u>Part No.</u>	<u>Description</u>
1.	900099-93	Main Frame Assembly–Not Included
2.	900533	Outer Frame Pivot Mount
3.	900947	Main Frame Adjustment Mount
4.	103047	Cover, Gauge Wheel Hub Dust
5.	102036	Bearing, Gauge Wheel Hub 1¼"
6.	108057	Hub, Gauge Wheel
7.	102037	Bearing, Gauge Wheel Hub 1¾"
8.	119066	Seal, Gauge Wheel Hub Grease
9.	900743	R.H. Pivot Arm
Not Shown	900744	L.H. Pivot Arm
10.	120003	Turnbuckle, Gauge Wheel Ratchet Jack
11.	900742	Pivot Shaft
12.	123014	Tire Assembly–Includes:
12a.	120008	Tire, Gauge Wheel
12b.	123003	Wheel, Gauge
12c.	120007	Tube, Gauge Wheel–15"
13.	900055	L.H. Pivot Arm Assembly–Includes Hub
Not Shown	900056	R.H. Pivot Arm Assembly–Includes Hub
14.	900865	4" Hub Extension–Optional
Not Shown	901165	Mud Scraper Plate–Optional
Not Shown	901166	Mud Scraper Mounting Plate–(only for pre '96 models)
Not Shown	901170	Mud Scraper L.H. Mounting Arm–Optional
Not Shown	901171	Mud Scraper R.H. Mounting Arm–Optional

Hardware List

<u>Item No.</u>	<u>Part No.</u>	<u>Description</u>
A.		7/8" N.F. Castellated Hex Nut
B.		3/16" Cotter Pin
C.		7/8" Flat Washer
D.		½" × 1" N.F. Acorn-type Wheel Stud
E.		Turnbuckle Pin
F.	116009	Pin, Hair
G.		5/16" × 2 1/4" NC Hex Bolt
H.		5/16" NC Center Lock Nut