



WINDROWER

PICKETT EQUIPMENT

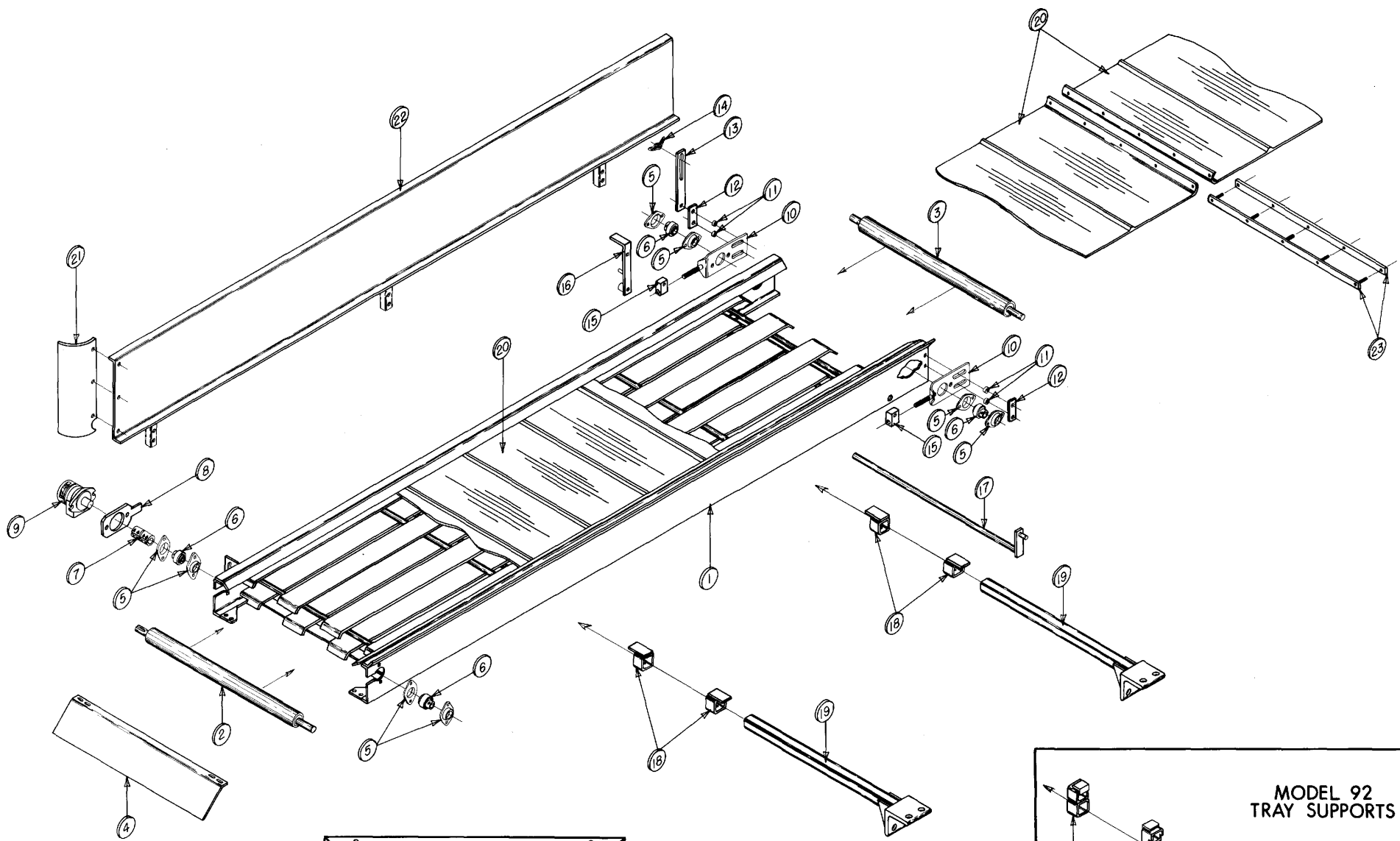
SECTION 4

Semi-end Dump Trays Parts Listing 1995-Present

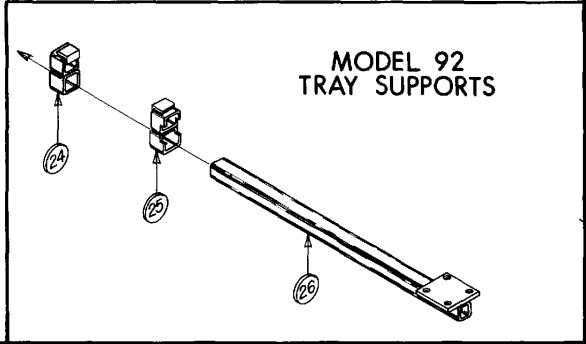


Pickett Equipment

976 East Main Street * Phone: 208-678-0855 * www.pickettequipment.com
Burley, Idaho 83318 * Fax: 208-678-1404 * pickett@rvmi.com



SEMI-END DUMP ASSEMBLY



SEMI-END DUMP ASSEMBLY 1068 Windrower

(1995–Present) (118” Tray)

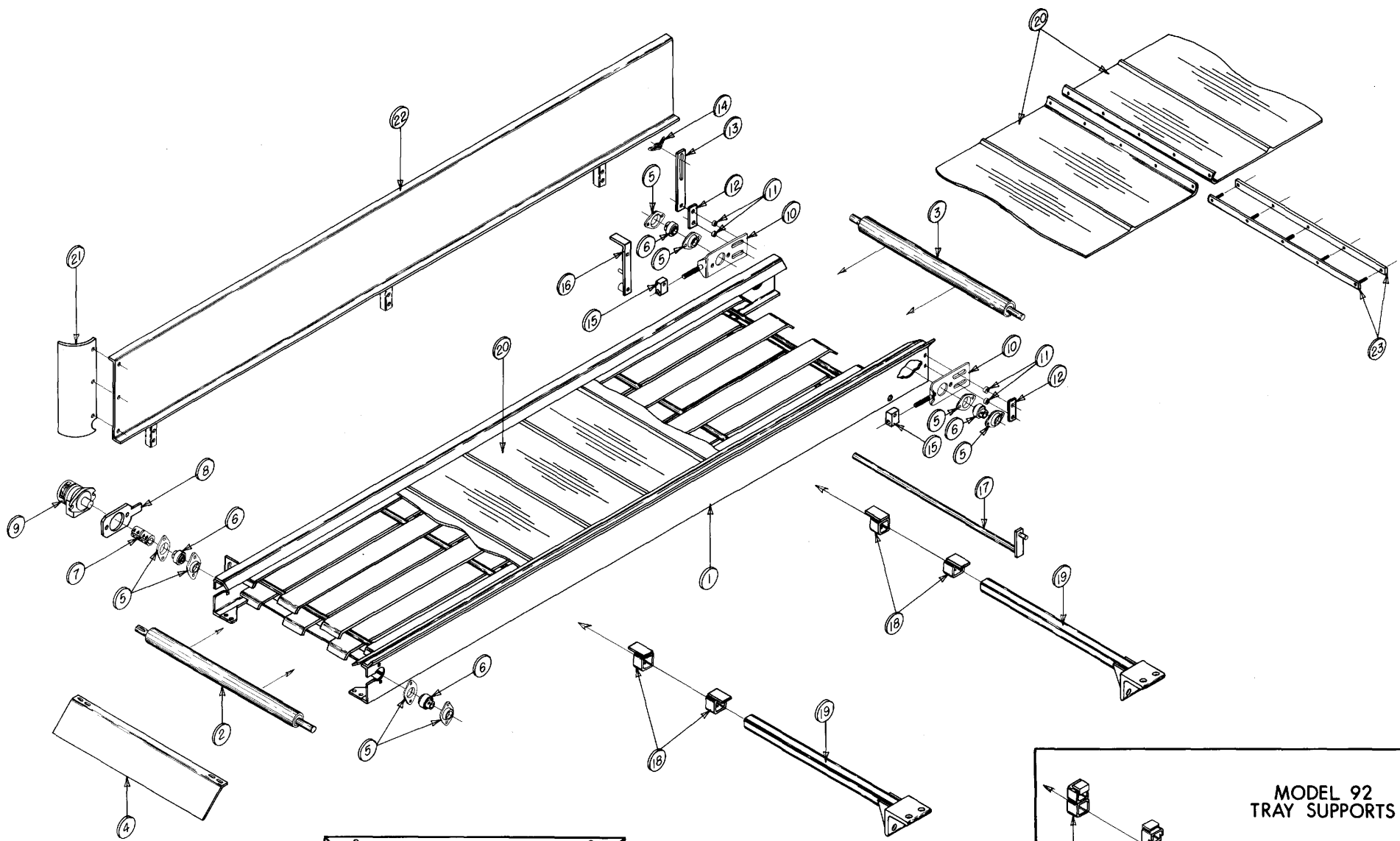
Parts List

<u>Item No.</u>	<u>Part No.</u>	<u>Description</u>
1.	902259	Semi-end Dump Tray
2.	901175	Crowned Roller–Keyed
3.	901176	Conveyor Roller–No Key
4.	900278	Right End Deflector Tray
5.	106013	Flangett, 2-Hole
6.	102005	Bearing, 1” Insert with Lock Collar
7.	103017	Coupler, 1” × 3” Split
8.	900225	Hydraulic Motor Mount
9.	113022	Motor, Canvas (MG Series)
10.	901150	Belt Tightener Bracket
11.	900498	Bracket Spacer
12.	900277	Bearing Bracket Clamp
13.	900199	Belt Tightener
14.	106016	Fastener, Wing
15.	900313	Swivel Adapter
16.	900575	Belt Tightener Lever
17.	900386	Crank Tightener
18.	900551	Tray Mount Slide Locks
19.	900583	Tray Support Arm (See Hardware: A,B,C,D)
20.	102023	Belt, SE Draper with Bar (234”)
21.	900016	Tray Back Deflector, RH
22.	900007	Tray Back
22a.	902312	Tilted Tray Back (Not Shown)
23.	102020	Belt Connector Bar with Bolts
24.	900231★	Tray Mount Slide Lock without Notch
25.	900582★	Tray Mount Slide Lock with Notch
26.	900234★	Tray Support Arm (See Hardware: E, F, G)
Not Shown	902260	Complete Semi-End Dump Tray (hydraulic package not included)

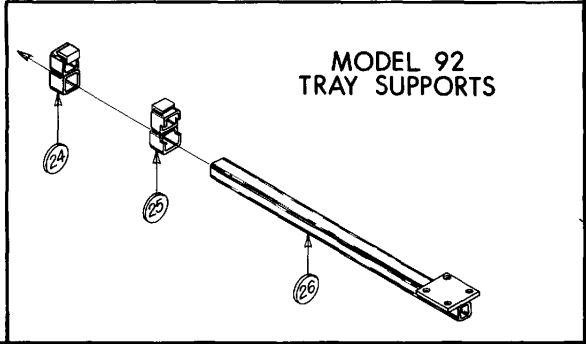
★ This part is manufactured on a built-to-order basis only. Call Pickett Equipment for availability and lead-time.

Hardware List

<u>Item No.</u>	<u>Part No.</u>	<u>Description</u>
A.	118025	½” x 4¼” NC Eye Bolt
B.		½” x 4½” NC Hex Bolt
C.		½” Lock Washer
D.		½” NC Hex Nut
E.	121003	U-Bolt, Type D, 5/8” × 3” Wide × 4½” Long
F.		5/8” Lock Washer
G.		5/8” NC Hex Nut



SEMI-END DUMP ASSEMBLY



SEMI-END DUMP ASSEMBLY 1268 WINDROWER

(1995–Present) (178” Tray)

Parts List

<u>Item No.</u>	<u>Part No.</u>	<u>Description</u>
1.	902267	Semi-end Dump Tray
2.	901175	Crowned Roller–Keyed
3.	901176	Conveyor Roller–No Key
4.	900278	Right End Deflector Tray
5.	106013	Flangett, 2-Hole
6.	102005	Bearing, 1” Insert with Lock Collar
7.	103017	Coupler, 1” × 3” Split
8.	900225	Hydraulic Motor Mount
9.	113022	Motor, Canvas (MG Series)
10.	901150	Belt Tightener Bracket
11.	900498	Bracket Spacer
12.	900277	Bearing Bracket Clamp
13.	900199	Belt Tightener
14.	106016	Fastener, Wing
15.	900313	Swivel Adapter
16.	900575	Belt Tightener Lever
17.	900386	Crank Tightener
18.	900551	Tray Mount Slide Locks
19.	900583	Tray Support Arm (See Hardware: A,B,C,D)
20.	102057	Belt, SE Draper with Bar (354”)
21.	900016	Tray Back Deflector, RH
22.	902068	Tray Back
22a.	902315	Tilted Tray Back (Not Shown)
23.	102020	Belt Connector Bar with Bolts
24.	900231★	Tray Mount Slide Lock without Notch
25.	900582★	Tray Mount Slide Lock with Notch
26.	900234★	Tray Support Arm (See Hardware: E,F,G)
Not Shown	902268	Complete Semi-End Dump Tray (hydraulic package not included)

* This part is manufactured on a built-to-order basis only. Call Pickett Equipment for availability and lead-time.

Hardware List

<u>Item No.</u>	<u>Part No.</u>	<u>Description</u>
A.	118025	½” x 4¼” NC Eye Bolt
B.		½” x 4½” NC Hex Bolt
C.		½” Lock Washer
D.		½” NC Hex Nut
E.	121003	U-Bolt, Type D 5/8” × 3” Wide × 4½” Long
F.		5/8” Lock Washer
G.		5/8” NC Hex Nut